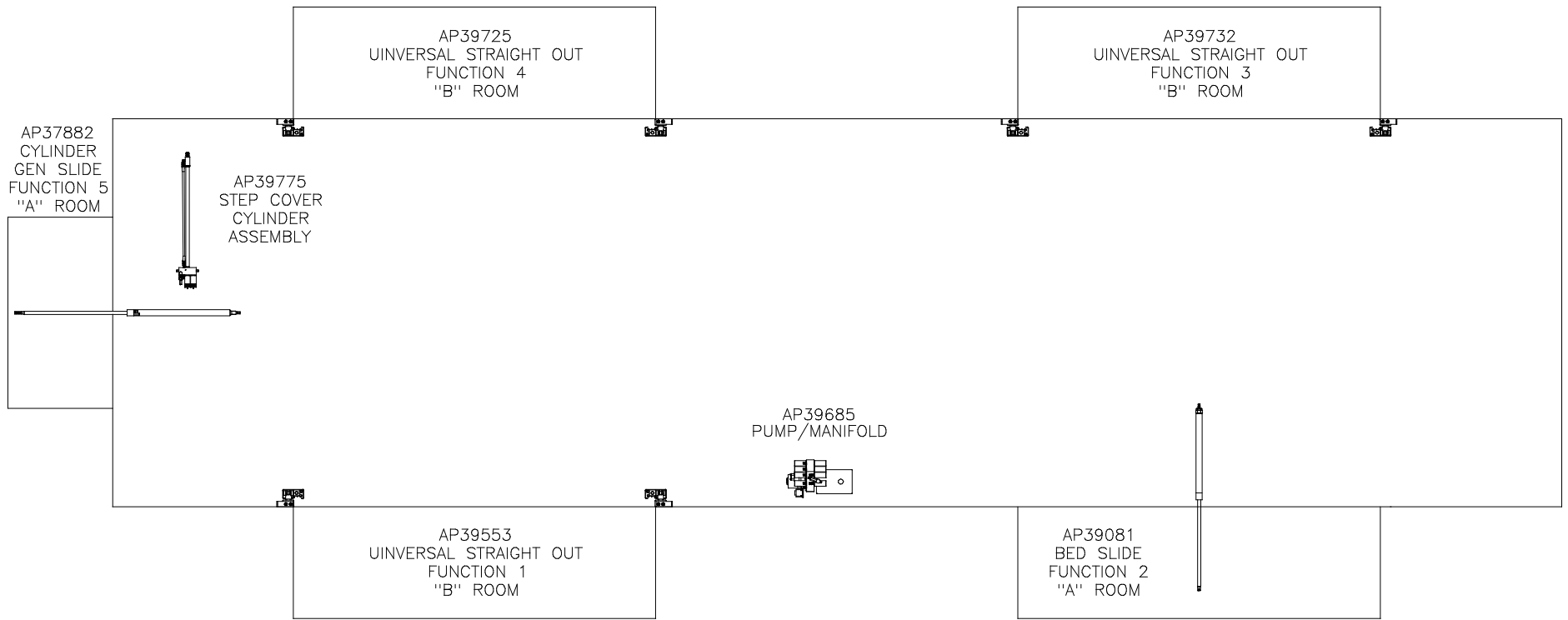


ORIENTATION
 ← FRONT

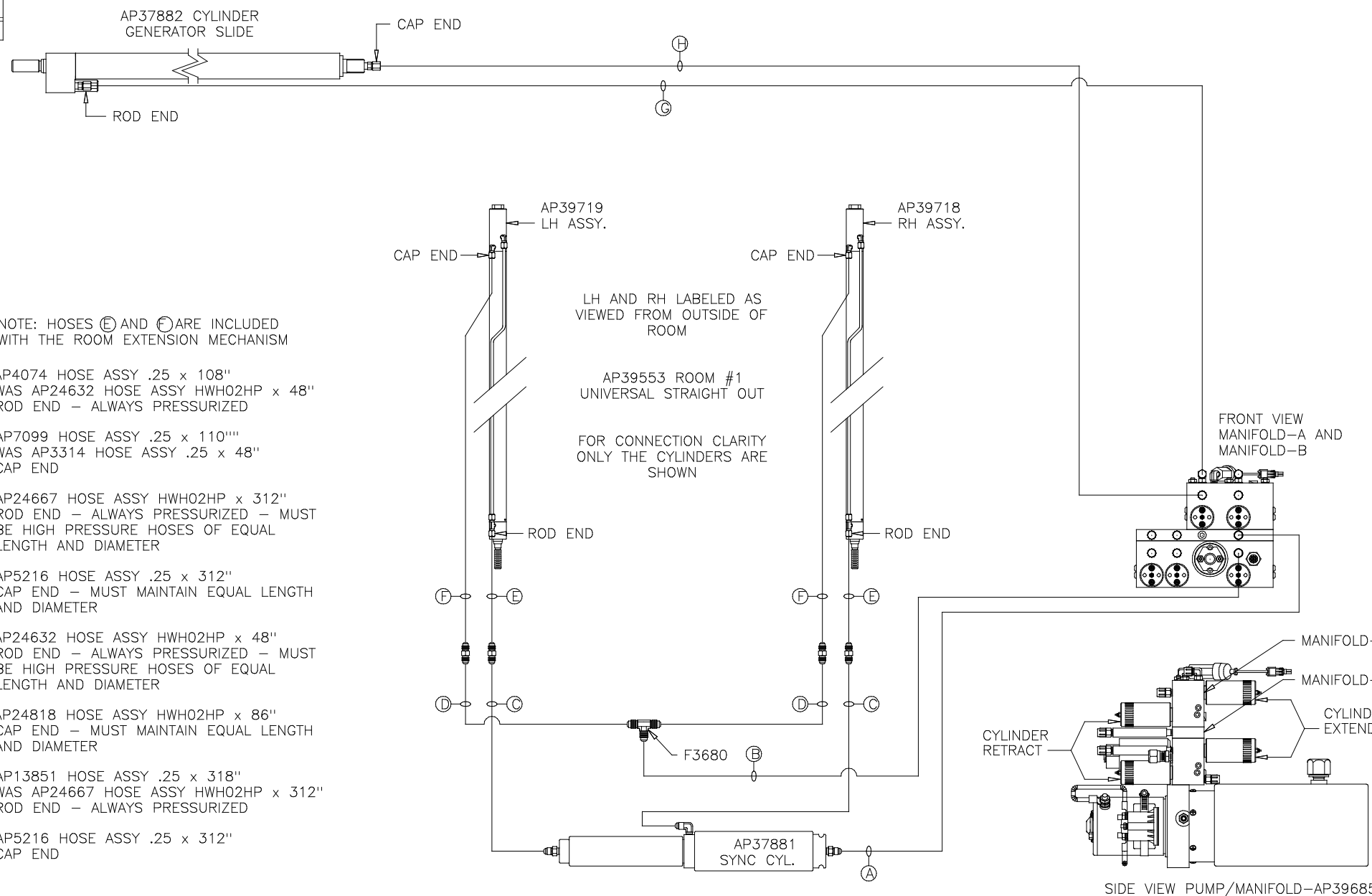


NOTE: INSTALLATION MUST CONFORM TO GOOD SHOP PRACTICES, SAE STANDARDS, RVIA STANDARDS, AND OTHER APPLICABLE STANDARDS.

LEVELING SYSTEM: AP39691

			HWH		I-80 EXIT 267 SOUTH RT 1 MOSCOW, IOWA 52760	
			SCALE 1:6	DATE 03JAN07	DRAWN BY .	
			HYD CONN DIAGRAM			
			FORETRAVEL		DRAWING NUMBER MP69724 A/E	
			THE INFORMATION DISCLOSED ON THIS DRAWING IS CONFIDENTIAL AND MUST NOT BE DISCLOSED OR USED IN ANY MANNER WHICH WILL BE DETRIMENTAL TO THE HWH CORPORATION			
			REVISION			
			NO. DATE REVISION			
			1 23JUL12 UPDATED HOSES			
			△ 01FEB13 WAS AP39733 & AP39734			

ORIENTATION
 ← FRONT



NOTE: HOSES (E) AND (F) ARE INCLUDED WITH THE ROOM EXTENSION MECHANISM

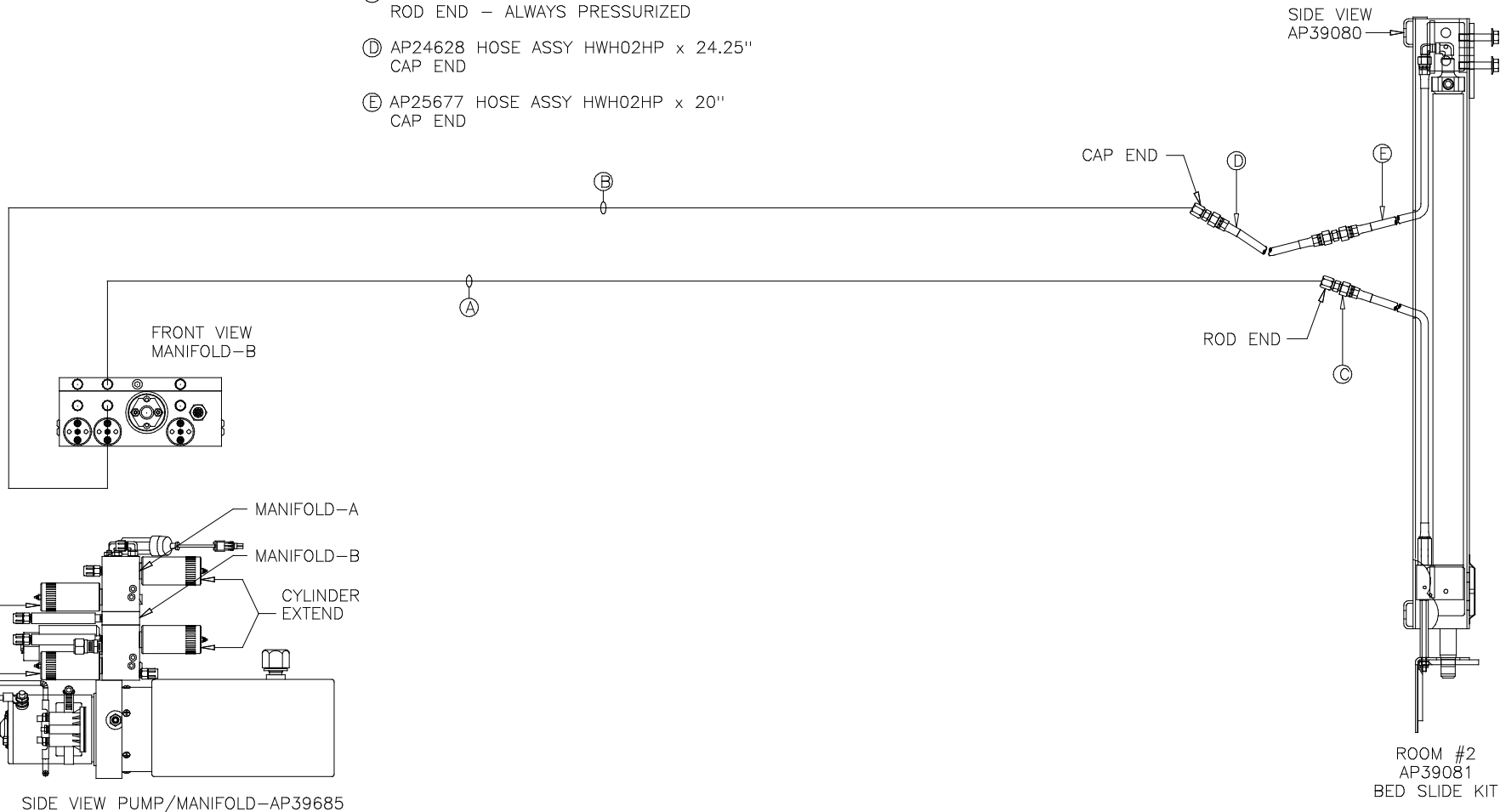
- (A) AP4074 HOSE ASSY .25 x 108"
 WAS AP24632 HOSE ASSY HWH02HP x 48"
 ROD END - ALWAYS PRESSURIZED
- (B) AP7099 HOSE ASSY .25 x 110"
 WAS AP3314 HOSE ASSY .25 x 48"
 CAP END
- (C) AP24667 HOSE ASSY HWH02HP x 312"
 ROD END - ALWAYS PRESSURIZED - MUST BE HIGH PRESSURE HOSES OF EQUAL LENGTH AND DIAMETER
- (D) AP5216 HOSE ASSY .25 x 312"
 CAP END - MUST MAINTAIN EQUAL LENGTH AND DIAMETER
- (E) AP24632 HOSE ASSY HWH02HP x 48"
 ROD END - ALWAYS PRESSURIZED - MUST BE HIGH PRESSURE HOSES OF EQUAL LENGTH AND DIAMETER
- (F) AP24818 HOSE ASSY HWH02HP x 86"
 CAP END - MUST MAINTAIN EQUAL LENGTH AND DIAMETER
- (G) AP13851 HOSE ASSY .25 x 318"
 WAS AP24667 HOSE ASSY HWH02HP x 312"
 ROD END - ALWAYS PRESSURIZED
- (H) AP5216 HOSE ASSY .25 x 312"
 CAP END

NOTE: INSTALLATION MUST CONFORM TO GOOD SHOP PRACTICES, SAE STANDARDS, RVIA STANDARDS, AND OTHER APPLICABLE STANDARDS.

ORIENTATION
 ← FRONT

NOTE: HOSES ③, ④ AND ⑤ ARE INCLUDED WITH THE ROOM EXTENSION MECHANISM

- ① AP4164 HOSE ASSY .25" x 384"
 WAS AP24666 HOSE ASSY HWH02HP x 300"
 ROD END - ALWAYS PRESSURIZED
- ② AP4391 HOSE ASSY .25 x 372"
 WAS AP4064 HOSE ASSY .25 x 300"
 CAP END
- ③ AP24632 HOSE ASSY HWH02HP x 48"
 ROD END - ALWAYS PRESSURIZED
- ④ AP24628 HOSE ASSY HWH02HP x 24.25"
 CAP END
- ⑤ AP25677 HOSE ASSY HWH02HP x 20"
 CAP END



SIDE VIEW PUMP/MANIFOLD-AP39685

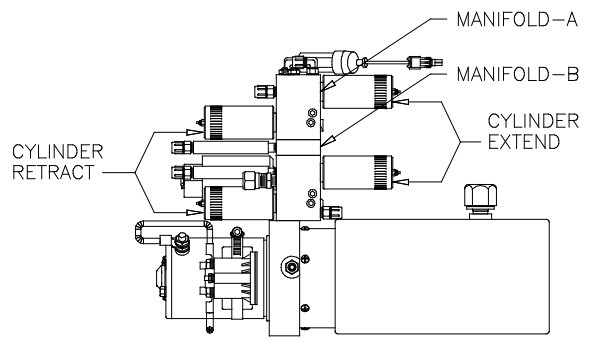
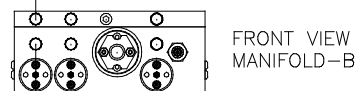
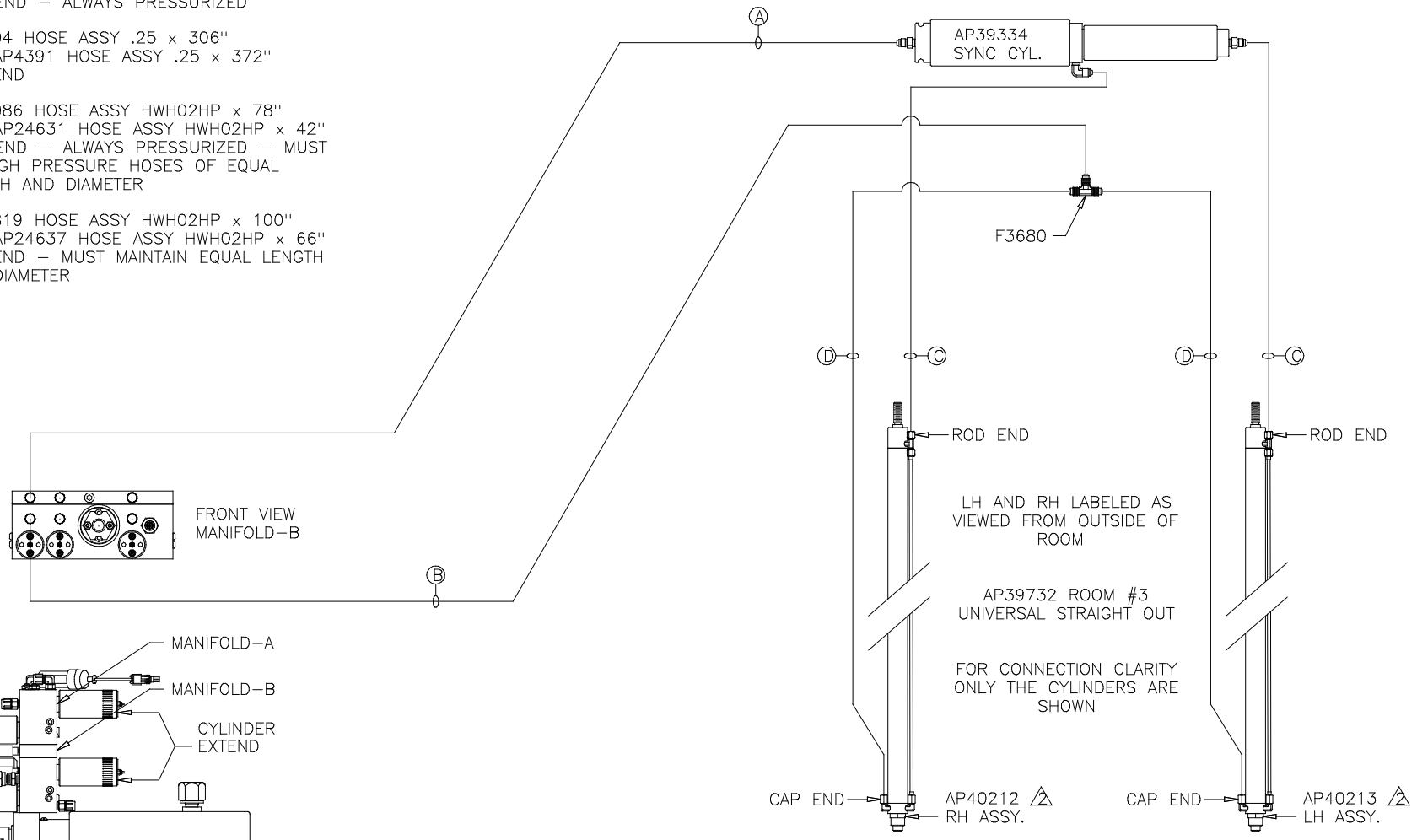
ROOM #2
 AP39081
 BED SLIDE KIT

NOTE: INSTALLATION MUST CONFORM TO GOOD SHOP PRACTICES, SAE STANDARDS, RVIA STANDARDS, AND OTHER APPLICABLE STANDARDS.

ORIENTATION
 ← FRONT

NOTE: HOSES (C) AND (D) ARE INCLUDED WITH THE ROOM EXTENSION MECHANISM

- (A) AP4064 HOSE ASSY .25 x 300"
 WAS AP24672 HOSE ASSY HWH02HP x 372"
 ROD END - ALWAYS PRESSURIZED
- (B) AP4904 HOSE ASSY .25 x 306"
 WAS AP4391 HOSE ASSY .25 x 372"
 CAP END
- (C) AP25086 HOSE ASSY HWH02HP x 78"
 WAS AP24631 HOSE ASSY HWH02HP x 42"
 ROD END - ALWAYS PRESSURIZED - MUST BE HIGH PRESSURE HOSES OF EQUAL LENGTH AND DIAMETER
- (D) AP24819 HOSE ASSY HWH02HP x 100"
 WAS AP24637 HOSE ASSY HWH02HP x 66"
 CAP END - MUST MAINTAIN EQUAL LENGTH AND DIAMETER



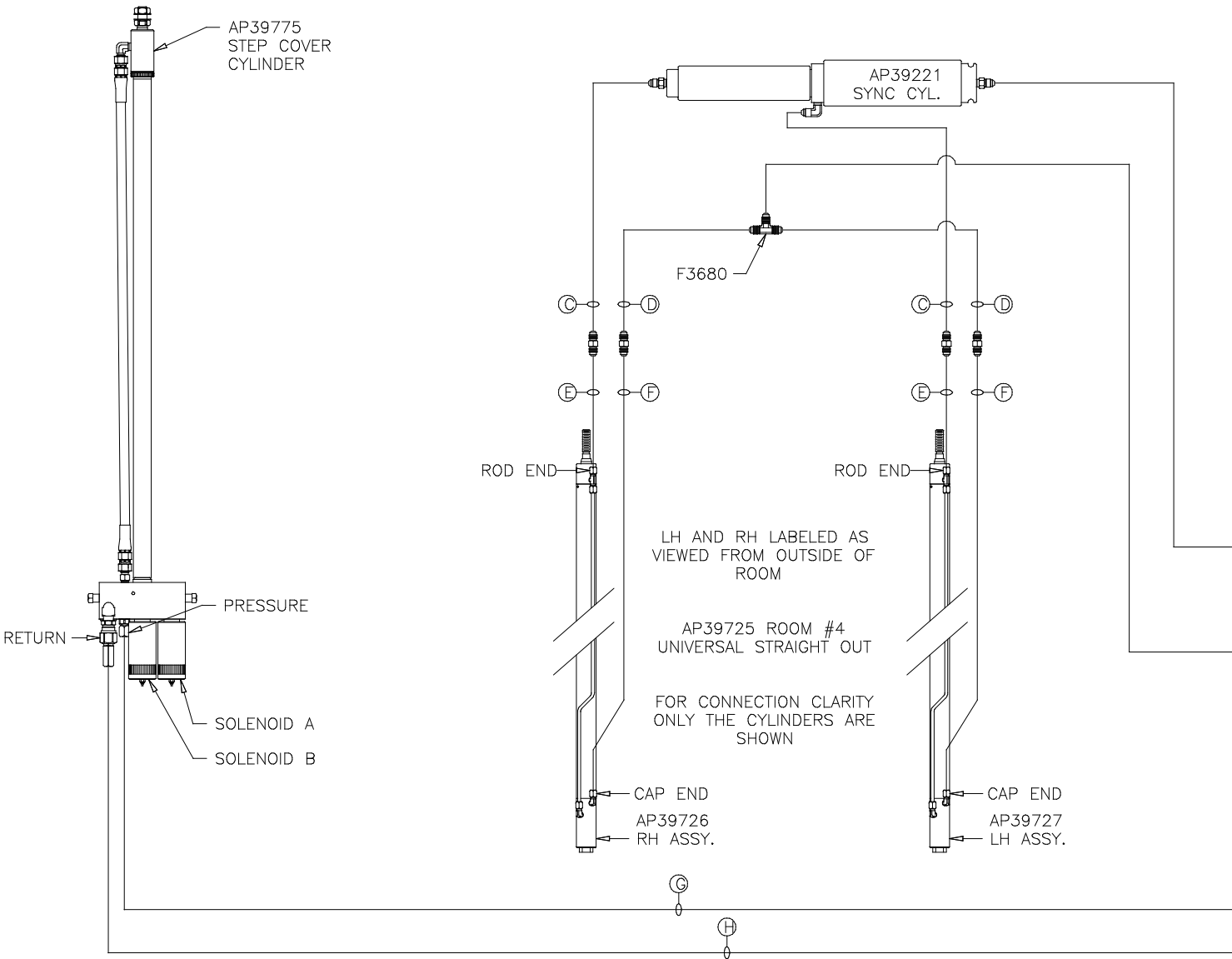
SIDE VIEW PUMP/MANIFOLD-AP39685

NOTE: INSTALLATION MUST CONFORM TO GOOD SHOP PRACTICES, SAE STANDARDS, RVIA STANDARDS, AND OTHER APPLICABLE STANDARDS.

ORIENTATION
 ← FRONT

NOTE: HOSES (E) AND (F) ARE INCLUDED WITH THE ROOM EXTENSION MECHANISM

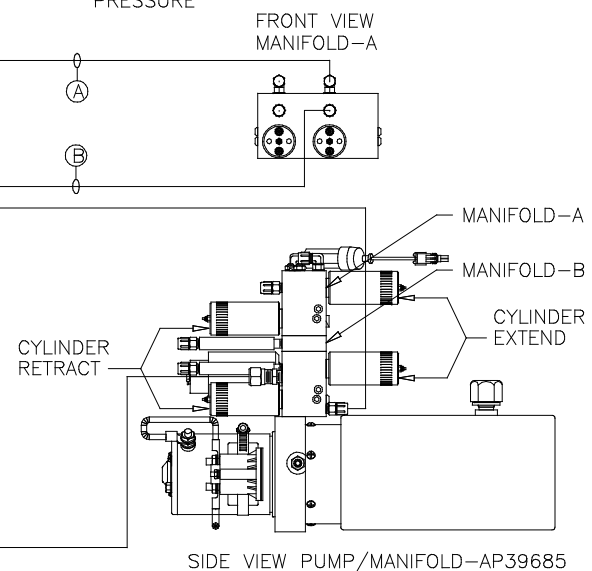
- (A) AP4074 HOSE ASSY .25 x 108"
 WAS AP24632 HOSE ASSY HWH02HP x 48"
 ROD END - ALWAYS PRESSURIZED
- (B) AP7099 HOSE ASSY .25 x 110"
 WAS AP3314 HOSE ASSY .25 x 48"
 CAP END
- (C) AP24667 HOSE ASSY HWH02HP x 312"
 ROD END - ALWAYS PRESSURIZED - MUST BE HIGH PRESSURE HOSES OF EQUAL LENGTH AND DIAMETER
- (D) AP5216 HOSE ASSY .25 x 312"
 CAP END - MUST MAINTAIN EQUAL LENGTH AND DIAMETER
- (E) AP24632 HOSE ASSY HWH02HP x 48"
 ROD END - ALWAYS PRESSURIZED - MUST BE HIGH PRESSURE HOSES OF EQUAL LENGTH AND DIAMETER
- (F) AP24818 HOSE ASSY HWH02HP x 86"
 CAP END - MUST MAINTAIN EQUAL LENGTH AND DIAMETER
- (G) P12741 RETURN LINE .5" X 312"
 RETURN
- (H) AP23741 HOSE ASSY HWH02HP x 306"
 PRESSURE



LH AND RH LABELED AS VIEWED FROM OUTSIDE OF ROOM

AP39725 ROOM #4 UNIVERSAL STRAIGHT OUT

FOR CONNECTION CLARITY ONLY THE CYLINDERS ARE SHOWN



SIDE VIEW PUMP/MANIFOLD-AP39685

NOTE: INSTALLATION MUST CONFORM TO GOOD SHOP PRACTICES, SAE STANDARDS, RVIA STANDARDS, AND OTHER APPLICABLE STANDARDS.