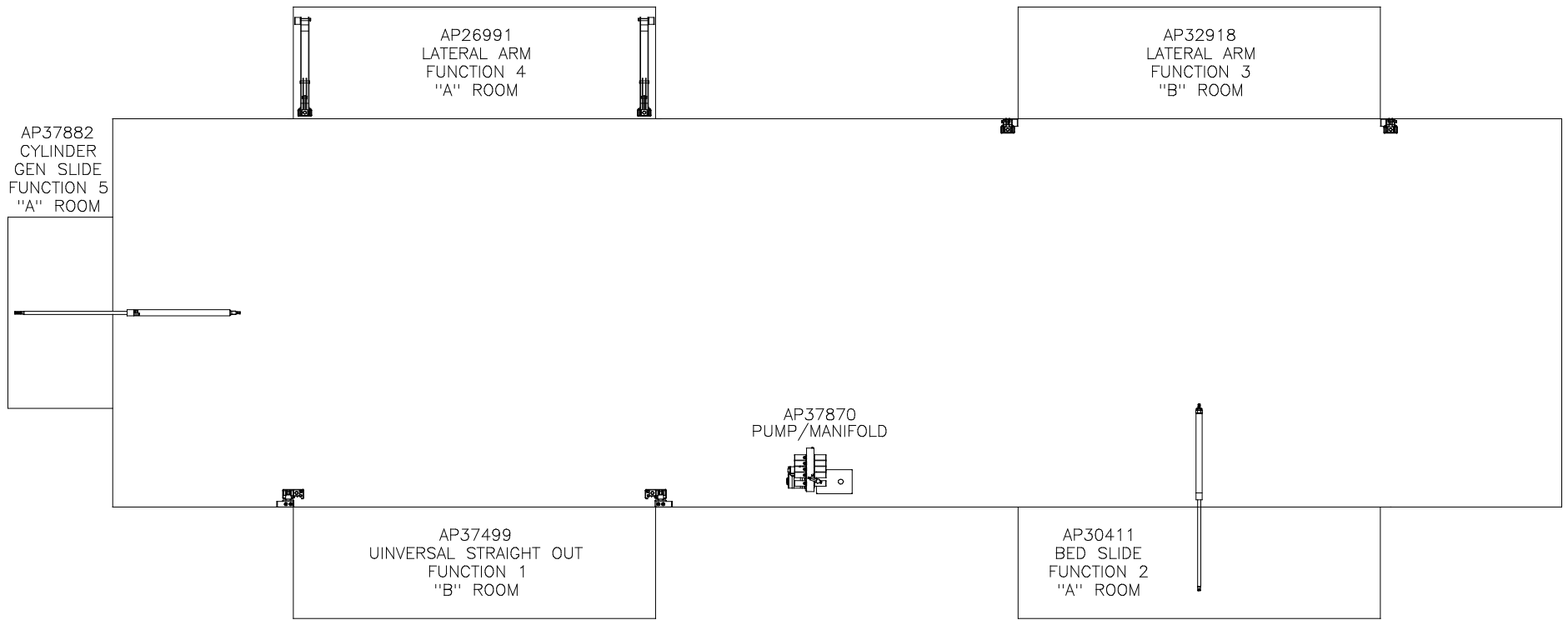


ORIENTATION
 ← FRONT



NOTE: INSTALLATION MUST CONFORM TO GOOD SHOP PRACTICES, SAE STANDARDS, RVIA STANDARDS, AND OTHER APPLICABLE STANDARDS.

LEVELING SYSTEM: AP39178

| NO. | DATE | REVISION |
|-----|---------|---------------------|
| 2 | 30SEP13 | UPDATED HOSES, ROOM |
| 1 | 20SEP13 | UPDATED HOSES |

HWH 1-80 EXIT 267 SOUTH
 RT 1 MOSCOW, IOWA 52760
 SCALE 1:6 DATE 22SEP06 DRAWN BY .

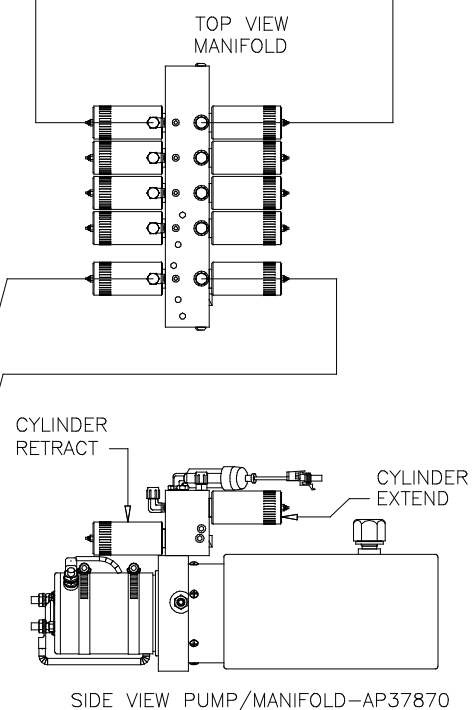
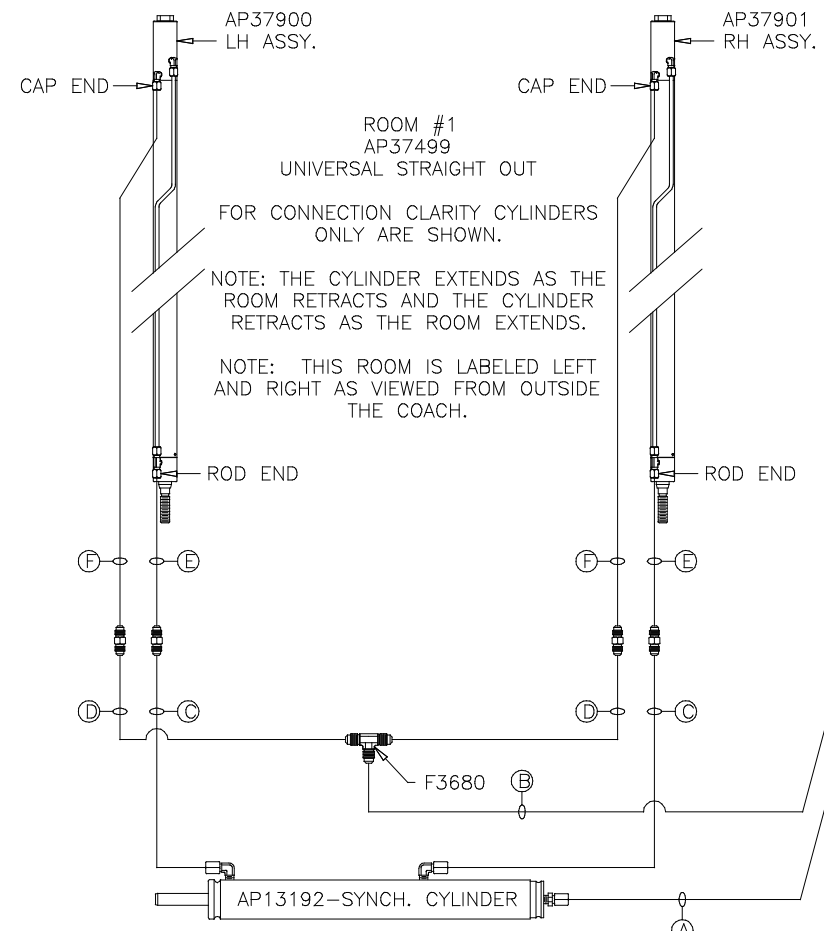
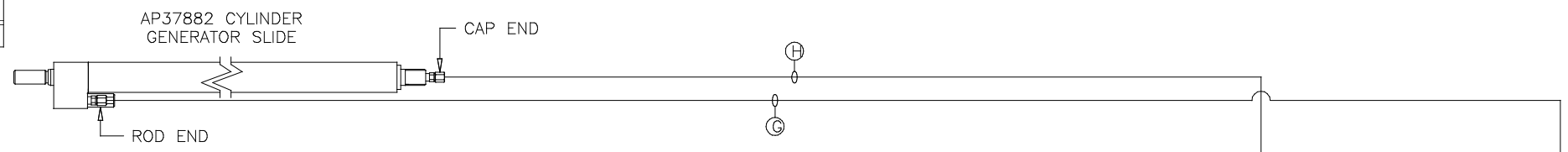
HYD CONN DIAGRAM

THE INFORMATION DISCLOSED ON THIS DRAWING IS CONFIDENTIAL AND MUST NOT BE DISCLOSED OR USED IN ANY MANNER WHICH WILL BE DETRIMENTAL TO THE HWH CORPORATION

FORETRAVEL

DRAWING NUMBER
 MP69679 A/E

ORIENTATION
FRONT



NOTE: HOSES (E) AND (F) ARE INCLUDED WITH THE ROOM EXTENSION MECHANISM

- (A) AP4074 HOSE ASSY .25" x 108"
WAS AP24632 HOSE ASSY HWH02HP x 48"
ROD END - ALWAYS PRESSURIZED
- (B) AP7099 HOSE ASSY .25" x 110"
WAS AP3314 HOSE ASSY .25 x 48"
CAP END
- (C) AP24667 HOSE ASSY HWH02HP x 312"
ROD END - ALWAYS PRESSURIZED - MUST BE HIGH PRESSURE HOSES OF EQUAL LENGTH AND DIAMETER
- (D) AP5216 HOSE ASSY .25 x 312"
CAP END - MUST MAINTAIN EQUAL LENGTH AND DIAMETER
- (E) AP24632 HOSE ASSY HWH02HP x 48"
ROD END - ALWAYS PRESSURIZED - MUST BE HIGH PRESSURE HOSES OF EQUAL LENGTH AND DIAMETER
- (F) AP24818 HOSE ASSY HWH02HP x 86"
CAP END - MUST MAINTAIN EQUAL LENGTH AND DIAMETER
- (G) AP13851 HOSE ASSY .25 x 318"
WAS AP24667 HOSE ASSY HWH02HP x 312"
ROD END - ALWAYS PRESSURIZED
- (H) AP5216 HOSE ASSY .25 x 312"
CAP END

ROOM #1
AP37499
UNIVERSAL STRAIGHT OUT

FOR CONNECTION CLARITY CYLINDERS ONLY ARE SHOWN.

NOTE: THE CYLINDER EXTENDS AS THE ROOM RETRACTS AND THE CYLINDER RETRACTS AS THE ROOM EXTENDS.

NOTE: THIS ROOM IS LABELED LEFT AND RIGHT AS VIEWED FROM OUTSIDE THE COACH.

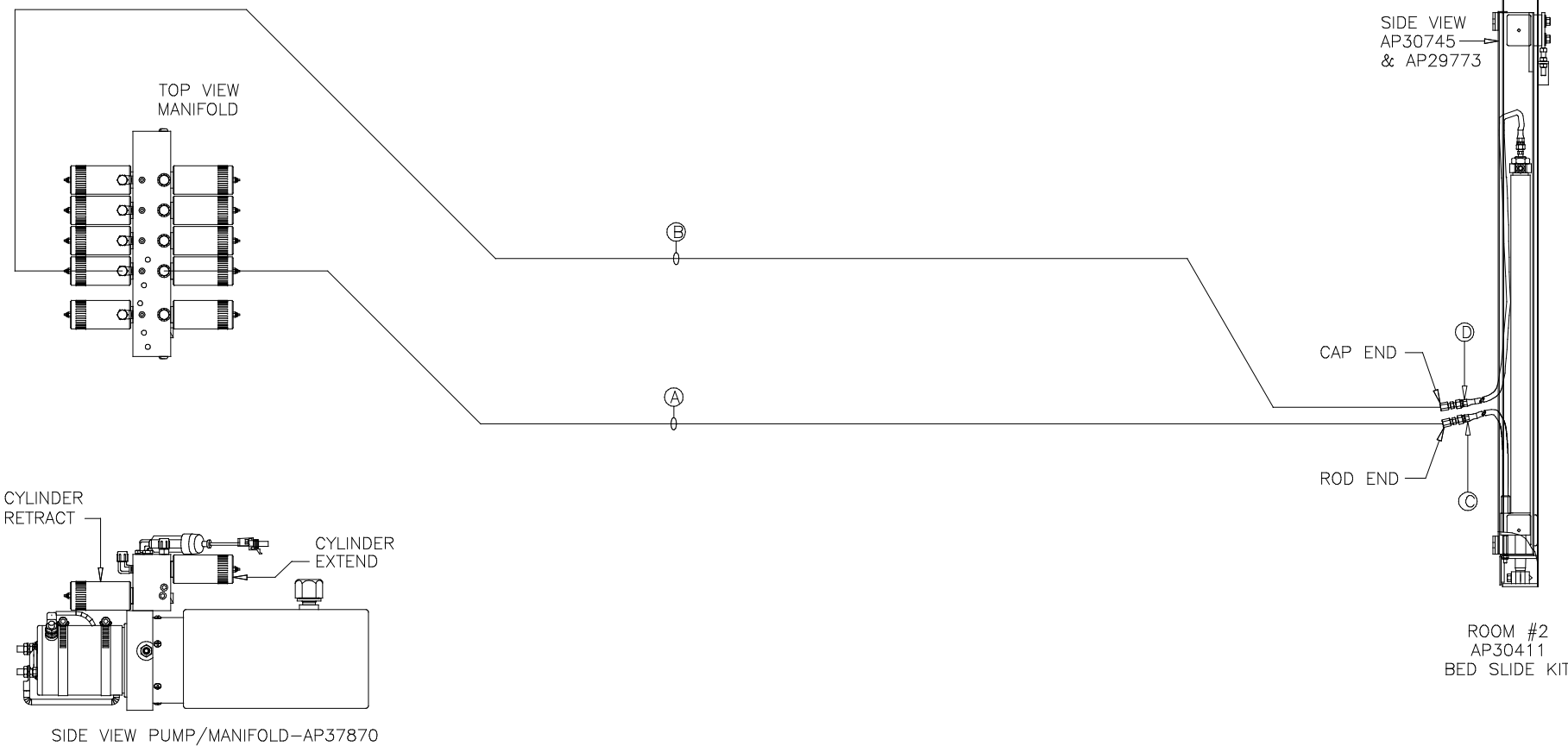
NOTE: INSTALLATION MUST CONFORM TO GOOD SHOP PRACTICES, SAE STANDARDS, RVIA STANDARDS, AND OTHER APPLICABLE STANDARDS.

MP69679 B/E
30SEP13

ORIENTATION
← FRONT

NOTE: HOSES ③ AND ④ ARE INCLUDED WITH THE ROOM EXTENSION MECHANISM

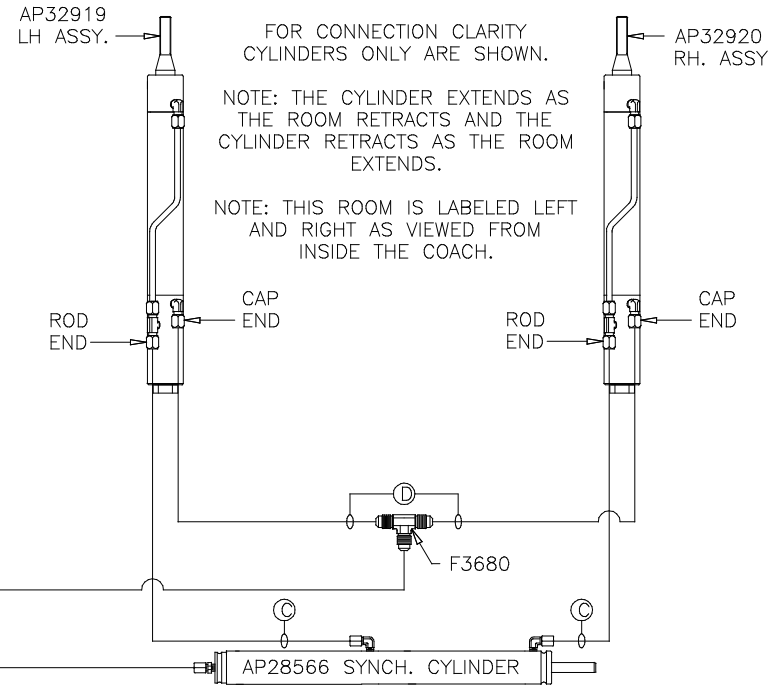
- ① AP4391 HOSE ASSY .25 x 372"
WAS AP24666 HOSE ASSY HWH02HP x 300"
ROD END - ALWAYS PRESSURIZED
- ② AP4164 HOSE ASSY .25 x 384"
WAS AP4064 HOSE ASSY .25 x 300"
CAP END
- ③ AP24628 HOSE ASSY HWH02HP x 24.25"
ROD END - ALWAYS PRESSURIZED
- ④ AP24632 HOSE ASSY HWH02HP x 48"
CAP END



NOTE: INSTALLATION MUST CONFORM TO GOOD SHOP PRACTICES, SAE STANDARDS, RVIA STANDARDS, AND OTHER APPLICABLE STANDARDS.

ORIENTATION
 ← FRONT

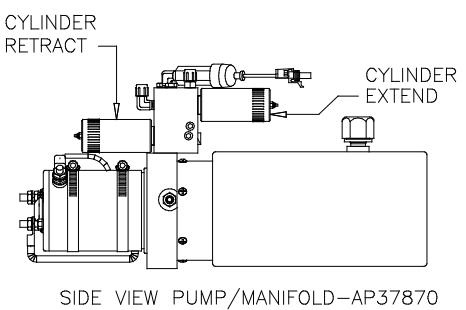
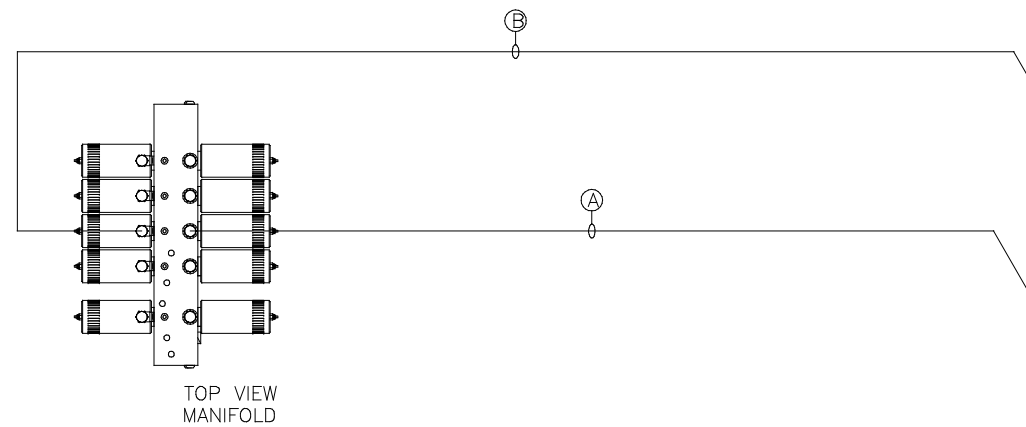
ROOM #3
 AP32918
 LATERAL ARM



FOR CONNECTION CLARITY
 CYLINDERS ONLY ARE SHOWN.

NOTE: THE CYLINDER EXTENDS AS
 THE ROOM RETRACTS AND THE
 CYLINDER RETRACTS AS THE ROOM
 EXTENDS.

NOTE: THIS ROOM IS LABELED LEFT
 AND RIGHT AS VIEWED FROM
 INSIDE THE COACH.

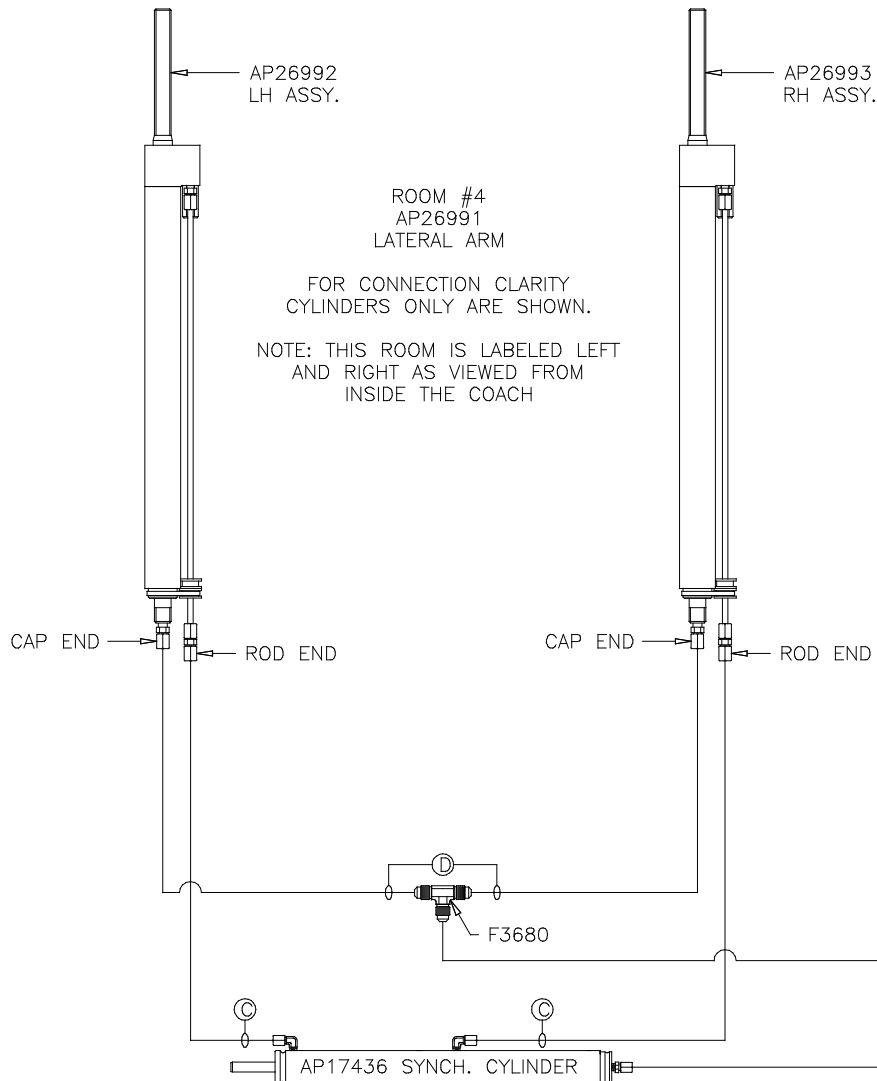


NOTE: HOSES C AND D ARE INCLUDED
 WITH THE ROOM EXTENSION MECHANISM

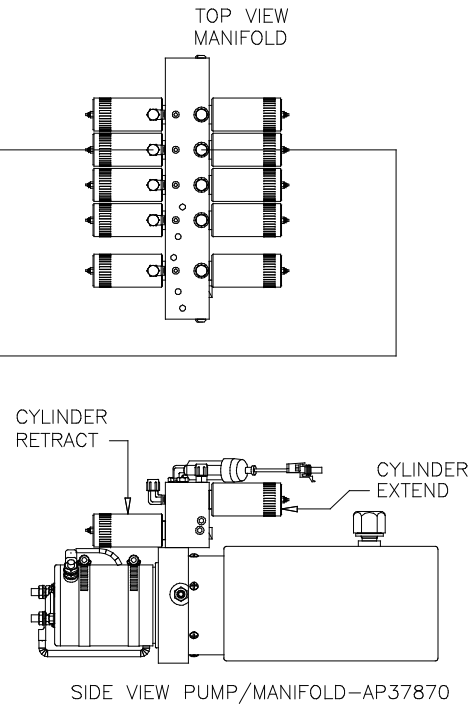
- A AP4064 HOSE ASSY .25 x 300"
 WAS AP24672 HOSE ASSY HWH02HP x 372"
 ROD END - ALWAYS PRESSURIZED
- B AP4904 HOSE ASSY .25 x 306"
 WAS AP4391 HOSE ASSY .25 x 372"
 CAP END
- C AP24633 HOSE ASSY HWH02HP x 54"
 ROD END - ALWAYS PRESSURIZED - MUST
 BE HIGH PRESSURE HOSES OF EQUAL
 LENGTH AND DIAMETER
- D AP24634 HOSE ASSY .25 x 60"
 CAP END - MUST MAINTAIN EQUAL LENGTH
 AND DIAMETER

NOTE: INSTALLATION MUST CONFORM TO GOOD SHOP PRACTICES, SAE
 STANDARDS, RVIA STANDARDS, AND OTHER APPLICABLE STANDARDS.

ORIENTATION
 ← FRONT



- Ⓐ AP4074 HOSE ASSY .25" x 108"
 WAS AP24632 HOSE ASSY HWH02HP x 48"
 ROD END – ALWAYS PRESSURIZED
- Ⓑ AP7099 HOSE ASSY .25" x 110"
 WAS AP3314 HOSE ASSY .25 x 48"
 CAP END
- Ⓒ AP24667 HOSE ASSY HWH02HP x 312"
 ROD END – ALWAYS PRESSURIZED – MUST
 BE HIGH PRESSURE HOSES OF EQUAL
 LENGTH AND DIAMETER
- Ⓓ AP5216 HOSE ASSY .25 x 312"
 CAP END – MUST MAINTAIN EQUAL LENGTH
 AND DIAMETER



NOTE: INSTALLATION MUST CONFORM TO GOOD SHOP PRACTICES, SAE STANDARDS, RVIA STANDARDS, AND OTHER APPLICABLE STANDARDS.

MP69679 E/E
 20SEP13