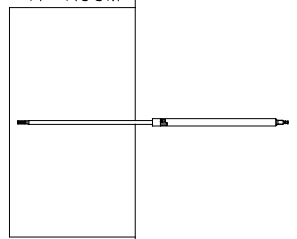
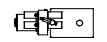


ORIENTATION  
 ← FRONT

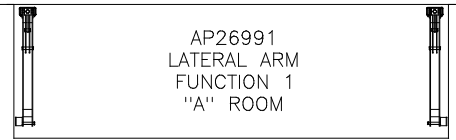
AP37882  
 CYLINDER  
 GEN SLIDE  
 FUNCTION 2  
 "A" ROOM



AP38416  
 PUMP/MANIFOLD



AP26991  
 LATERAL ARM  
 FUNCTION 1  
 "A" ROOM



NOTE: INSTALLATION MUST CONFORM TO GOOD SHOP PRACTICES, SAE STANDARDS, RVIA STANDARDS, AND OTHER APPLICABLE STANDARDS.

LEVELING SYSTEM: AP38409

1	20SEP13	UPDATED HOSES
NO.	DATE	REVISION

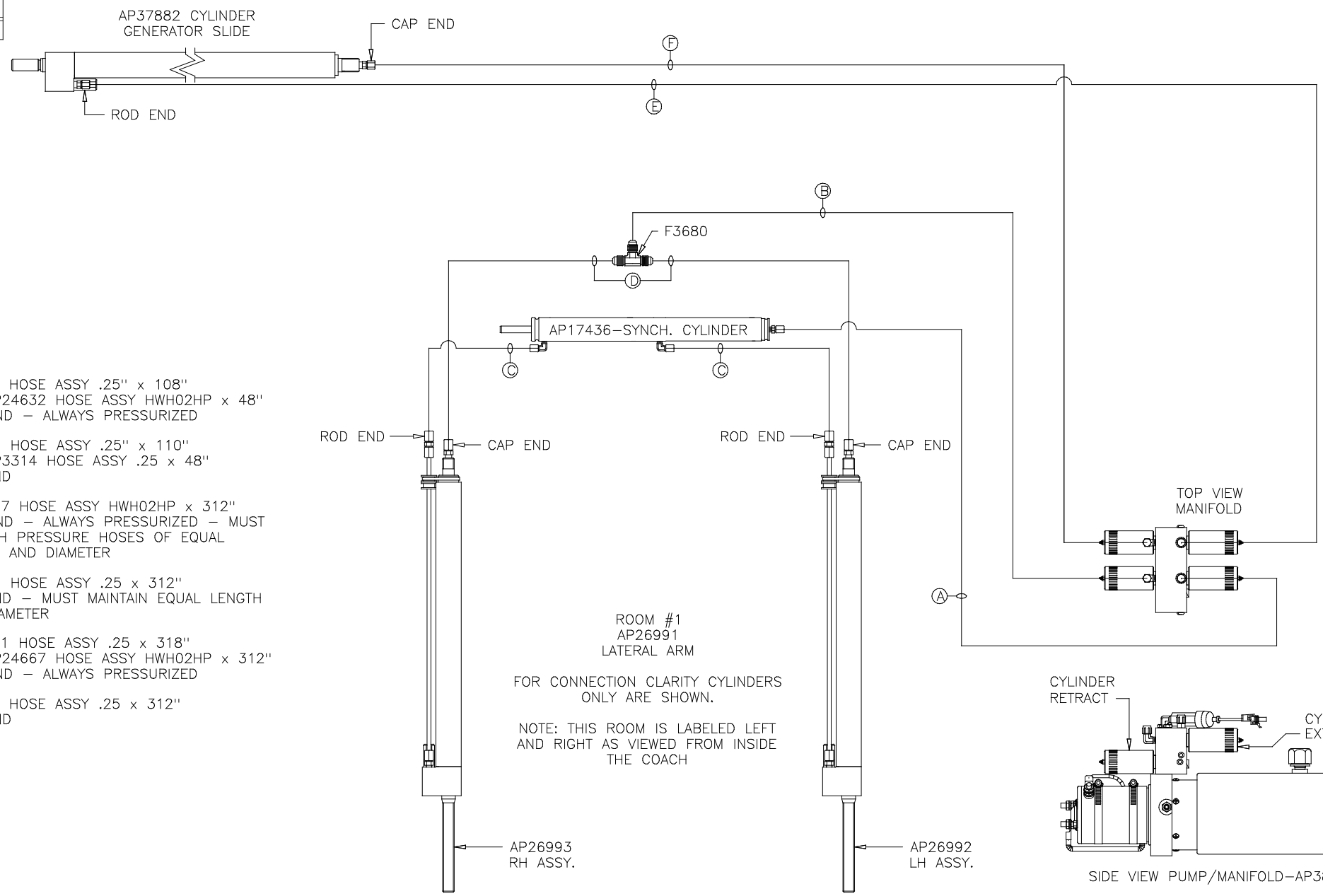
HWH 1-80 EXIT 267 SOUTH  
 RT 1 MOSCOW, IOWA 52760  
 SCALE 1:6 DATE 26JUN06 DRAWN BY .

HYD CONN DIAGRAM

THE INFORMATION DISCLOSED ON THIS DRAWING IS CONFIDENTIAL AND MUST NOT BE DISCLOSED OR USED IN ANY MANNER WHICH WILL BE DETRIMENTAL TO THE HWH CORPORATION

FORETRAVEL DRAWING NUMBER  
 MP69632 A/B

ORIENTATION  
 ← FRONT

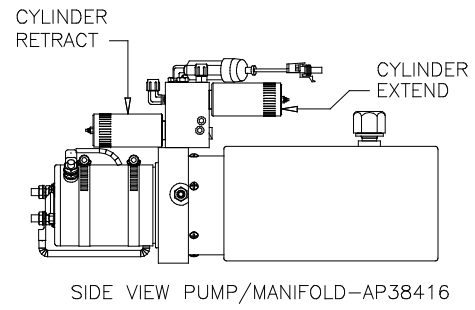


- (A) AP4074 HOSE ASSY .25" x 108"  
 WAS AP24632 HOSE ASSY HWH02HP x 48"  
 ROD END - ALWAYS PRESSURIZED
- (B) AP7099 HOSE ASSY .25" x 110"  
 WAS AP3314 HOSE ASSY .25 x 48"  
 CAP END
- (C) AP24667 HOSE ASSY HWH02HP x 312"  
 ROD END - ALWAYS PRESSURIZED - MUST  
 BE HIGH PRESSURE HOSES OF EQUAL  
 LENGTH AND DIAMETER
- (D) AP5216 HOSE ASSY .25 x 312"  
 CAP END - MUST MAINTAIN EQUAL LENGTH  
 AND DIAMETER
- (E) AP13851 HOSE ASSY .25 x 318"  
 WAS AP24667 HOSE ASSY HWH02HP x 312"  
 ROD END - ALWAYS PRESSURIZED
- (F) AP5216 HOSE ASSY .25 x 312"  
 CAP END

ROOM #1  
 AP26991  
 LATERAL ARM

FOR CONNECTION CLARITY CYLINDERS  
 ONLY ARE SHOWN.

NOTE: THIS ROOM IS LABELED LEFT  
 AND RIGHT AS VIEWED FROM INSIDE  
 THE COACH.



NOTE: INSTALLATION MUST CONFORM TO GOOD SHOP PRACTICES, SAE STANDARDS, RVIA STANDARDS, AND OTHER APPLICABLE STANDARDS.