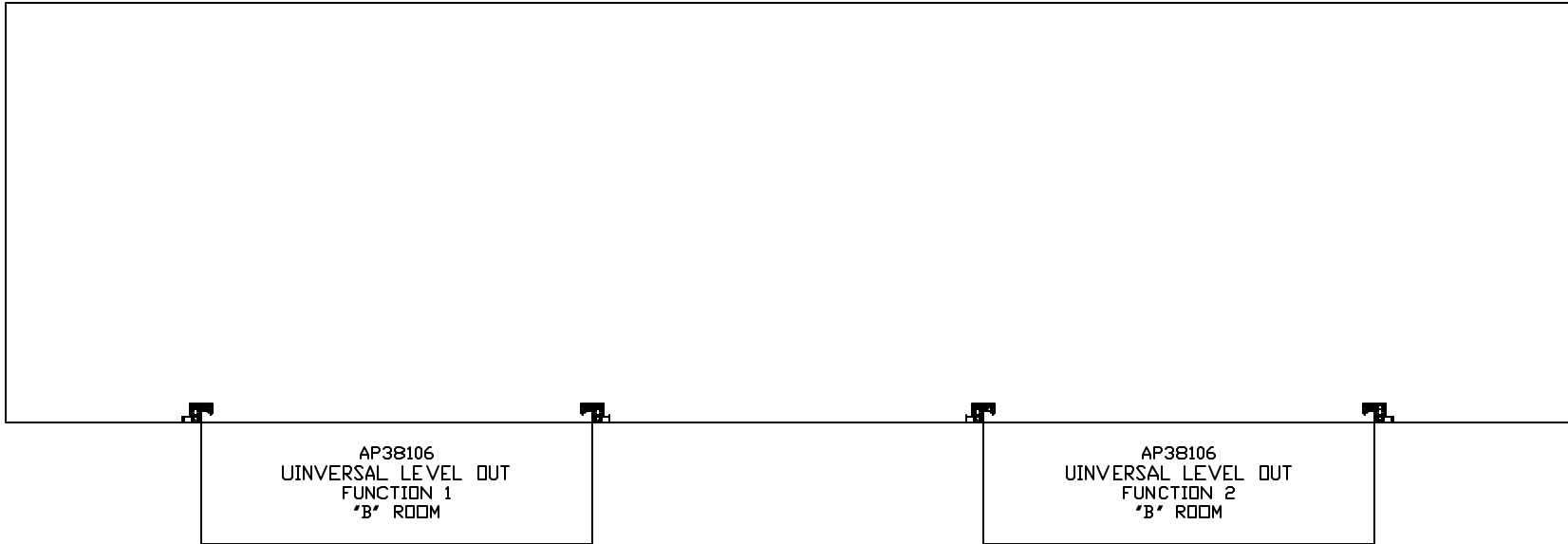


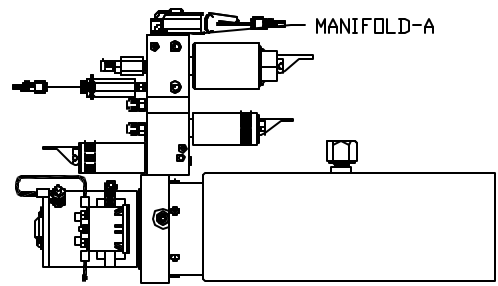
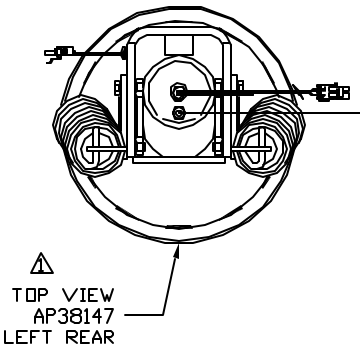
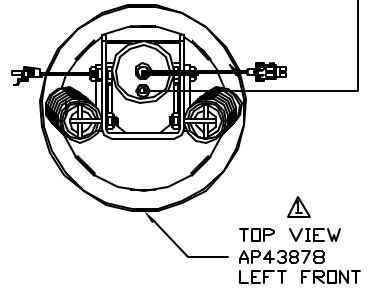
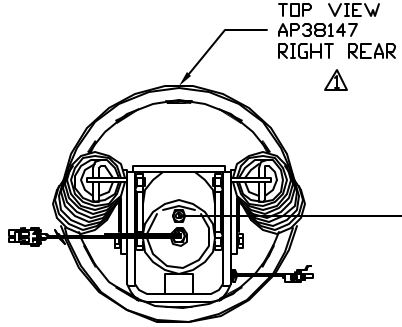
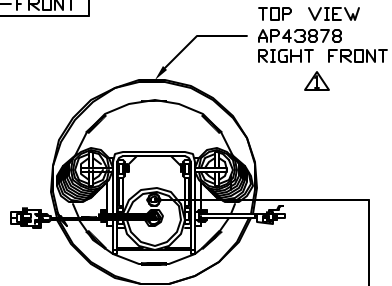
ORIENTATION
 ← FRONT



NOTE: INSTALLATION MUST CONFORM TO GOOD SHOP PRACTICES, SAE STANDARDS, RVIA STANDARDS, AND OTHER APPLICABLE STANDARDS. LEVELING SYSTEM: AP38104

		HWH		I-80 EXIT 267 SOUTH RT 1 MOSCOW, IOWA 52760	
		SCALE 1:6	DATE 15MAY06	DRAWN BY .	
▲	06MAY15	WAS AP297B7,AP29783,AP36776,AP21727			
NO.	DATE	REVISION			
THE INFORMATION DISCLOSED ON THIS DRAWING IS CONFIDENTIAL AND MUST NOT BE DISCLOSED OR USED IN ANY MANNER WHICH WILL BE DETRIMENTAL TO THE HWH CORPORATION		HYD CONN DIAGRAM		DRAWING NUMBER	
		MATTHEWS SPEC.		MP69595 A/C	

ORIENTATION
 FRONT



- Ⓐ AP7179 HOSE ASSY .25" x 440'
- Ⓑ AP6117 HOSE ASSY .25" x 432'
- Ⓒ AP4162 HOSE ASSY .25" x 192'
- Ⓓ AP5965 HOSE ASSY .25" x 180'

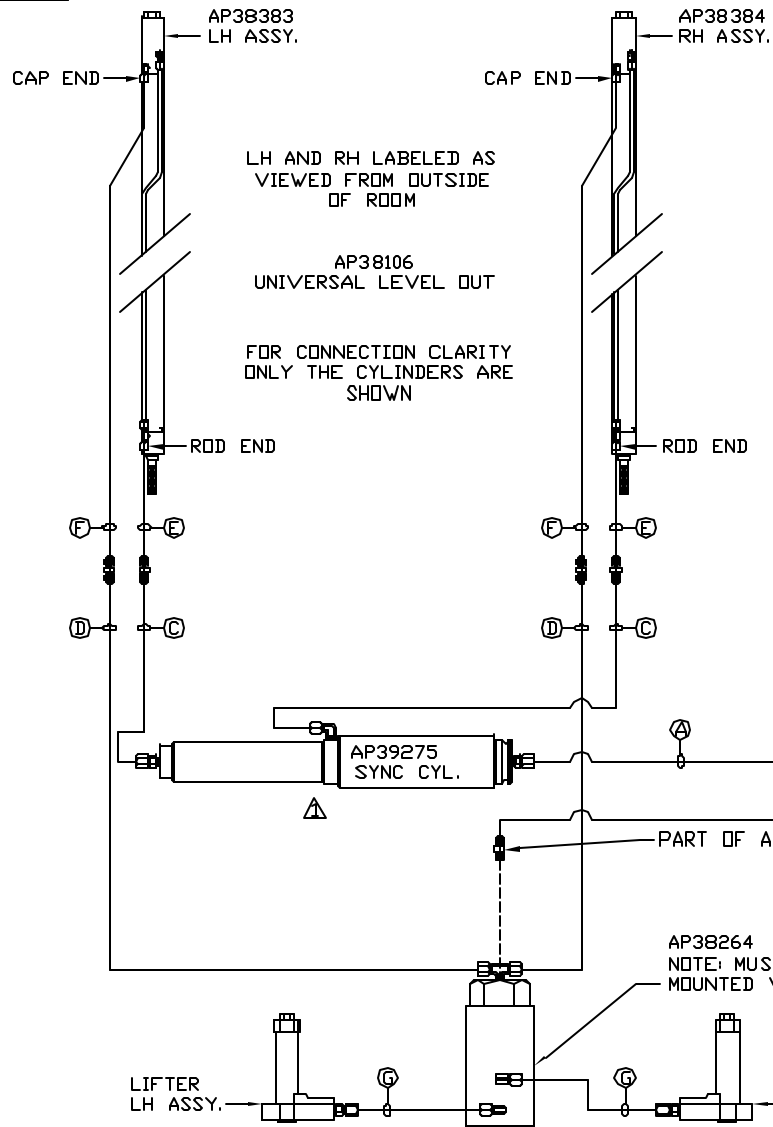
CROSS TIES REQUIRED FOR
 FRONT AND REAR JACKS

ORIENTATION OF POWER UNIT IS GLASS NORTH

NOTE: INSTALLATION MUST CONFORM TO GOOD SHOP PRACTICES, SAE STANDARDS, RVIA STANDARDS, AND OTHER APPLICABLE STANDARDS.

MP69595 B/C
 06MAY15

ORIENTATION
 FRONT



LH AND RH LABELED AS VIEWED FROM OUTSIDE OF ROOM

AP38106 UNIVERSAL LEVEL OUT

FOR CONNECTION CLARITY ONLY THE CYLINDERS ARE SHOWN

AP38264
 NOTE: MUST BE MOUNTED VERTICALLY

LIFTER LH ASSY.

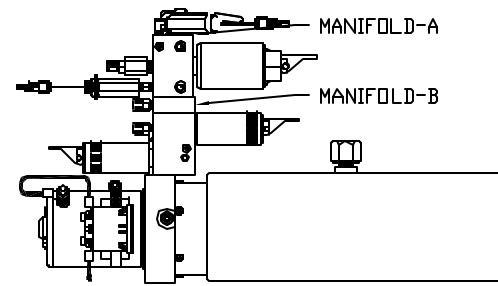
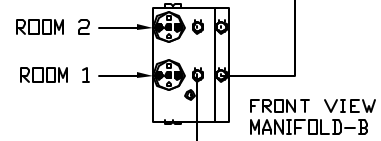
LIFTER RH ASSY.

NOTE: HOSES (E) AND (F) ARE INCLUDED WITH THE ROOM EXTENSION MECHANISM

NOTE: HOSES ARE PROVIDED BY THE DEM.

- (A) ROD END - ALWAYS PRESSURIZED
- (B) CAP END
- (C) ROD END - ALWAYS PRESSURIZED HOSES MUST BE HIGH PRESSURE HOSES OF EQUAL LENGTH AND DIAMETER
- (D) CAP END - HOSES MUST MAINTAIN EQUAL LENGTH AND DIAMETER

- (E) AP24632 HOSE ASSY HWH02HP x 48' ROD END - ALWAYS PRESSURIZED - MUST BE HIGH PRESSURE HOSES OF EQUAL LENGTH AND DIAMETER
- (F) AP24818 HOSE ASSY HWH02HP x 86' CAP END - MUST MAINTAIN EQUAL LENGTH AND DIAMETER
- (G) CAP END - HOSES MUST BE HIGH PRESSURE HOSES OF EQUAL LENGTH AND DIAMETER



ORIENTATION OF POWER UNIT IS GLASS NORTH

NOTE: BOTH ROOMS ARE CONNECTED IN THE SAME MANNER.

NOTE: INSTALLATION MUST CONFORM TO GOOD SHOP PRACTICES, SAE STANDARDS, RVIA STANDARDS, AND OTHER APPLICABLE STANDARDS.

MP69595 C/C
 06MAY15