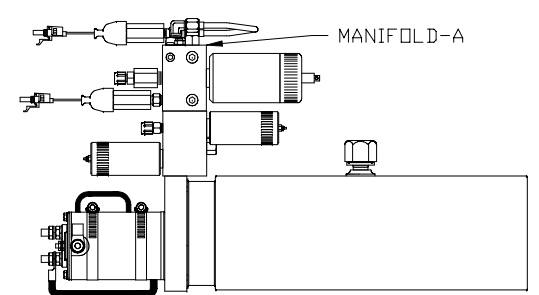
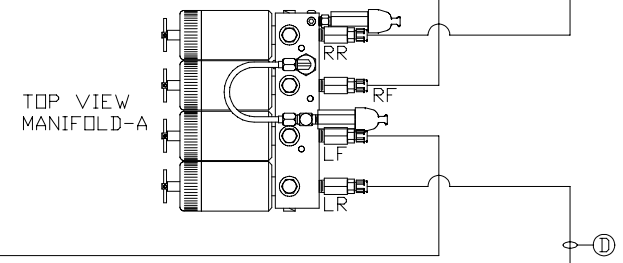
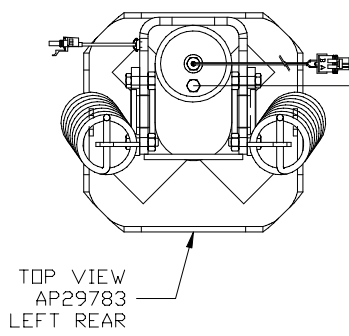
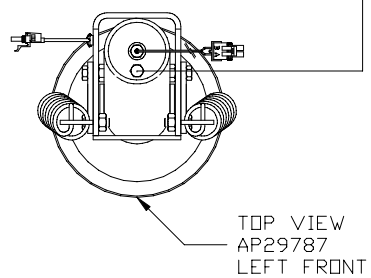
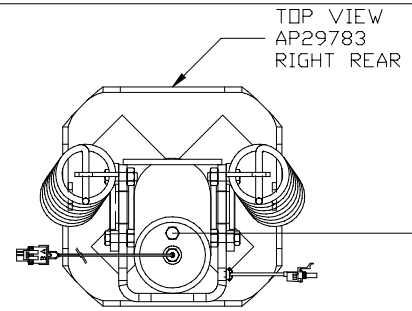
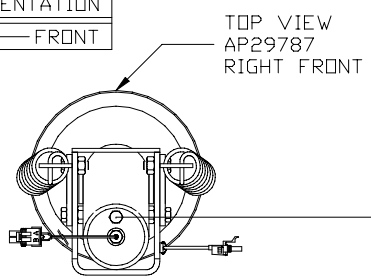


ORIENTATION  
← FRONT



- Ⓐ AP7179 HOSE ASSY .25" x 440"
- Ⓑ AP6117 HOSE ASSY .25" x 432"
- Ⓒ AP4162 HOSE ASSY .25" x 192"
- Ⓓ AP5965 HOSE ASSY .25" x 180"

CROSS TIES REQUIRED FOR  
FRONT AND REAR JACKS

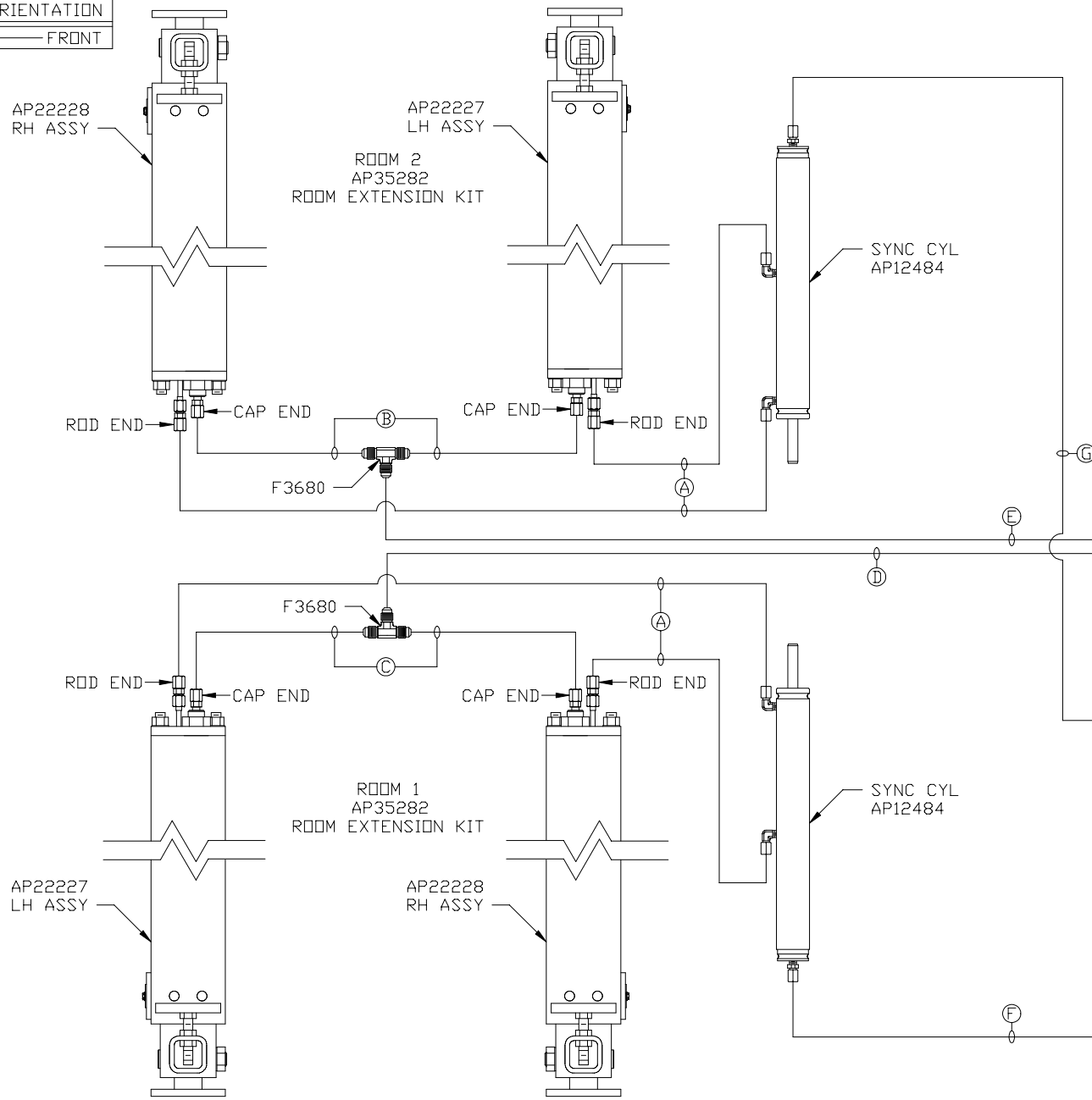
LEVELING SYSTEM: AP35280

ORIENTATION OF POWER UNIT IS GLASS NORTH

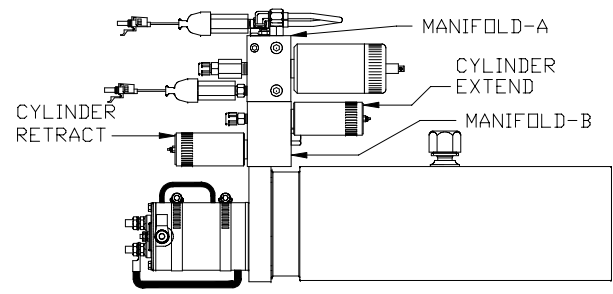
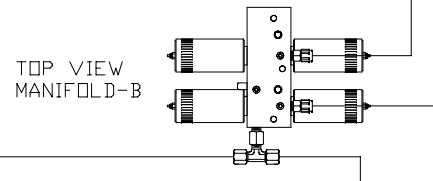
		HWH I-80 EXIT 267 SOUTH RT 1 MOSCOW, IOWA 52760	
		SCALE 1:6	DATE 10MAY05
		DRAWN BY .	
1	02AUG05	ADDED ROOM HOSE PART #'S	
NO.	DATE	REVISION	
		HYD CONN DIAGRAM	
		MATTHEW'S SPECIALTY	DRAWING NUMBER MP69405 A/B

THE INFORMATION DISCLOSED ON THIS DRAWING IS CONFIDENTIAL AND MUST NOT BE DISCLOSED OR USED IN ANY MANNER WHICH WILL BE DETRIMENTAL TO THE HWH CORPORATION

ORIENTATION  
← FRONT



- Ⓐ AP24642 HOSE ASSY HWH02HP x 120"  
ROD END - ALWAYS PRESSURIZED - MUST BE HIGH PRESSURE HOSES OF EQUAL LENGTH AND DIAMETER
- Ⓑ AP5215 HOSE ASSY .25" x 78"  
CAP END - MUST MAINTAIN EQUAL LENGTH AND DIAMETER
- Ⓒ AP4159 HOSE ASSY .25" x 72"  
CAP END - MUST MAINTAIN EQUAL LENGTH AND DIAMETER
- Ⓓ AP4162 HOSE ASSY .25" x 192"  
CAP END
- Ⓔ AP6601 HOSE ASSY .25" x 198"  
CAP END
- Ⓕ AP5352 HOSE ASSY .25" x 96"  
ROD END - ALWAYS PRESSURIZED
- Ⓖ AP7832 HOSE ASSY .25" x 100"  
ROD END - ALWAYS PRESSURIZED



SIDE VIEW PUMP/MANIFOLD-AP30118  
ORIENTATION OF POWER UNIT IS GLASS NORTH