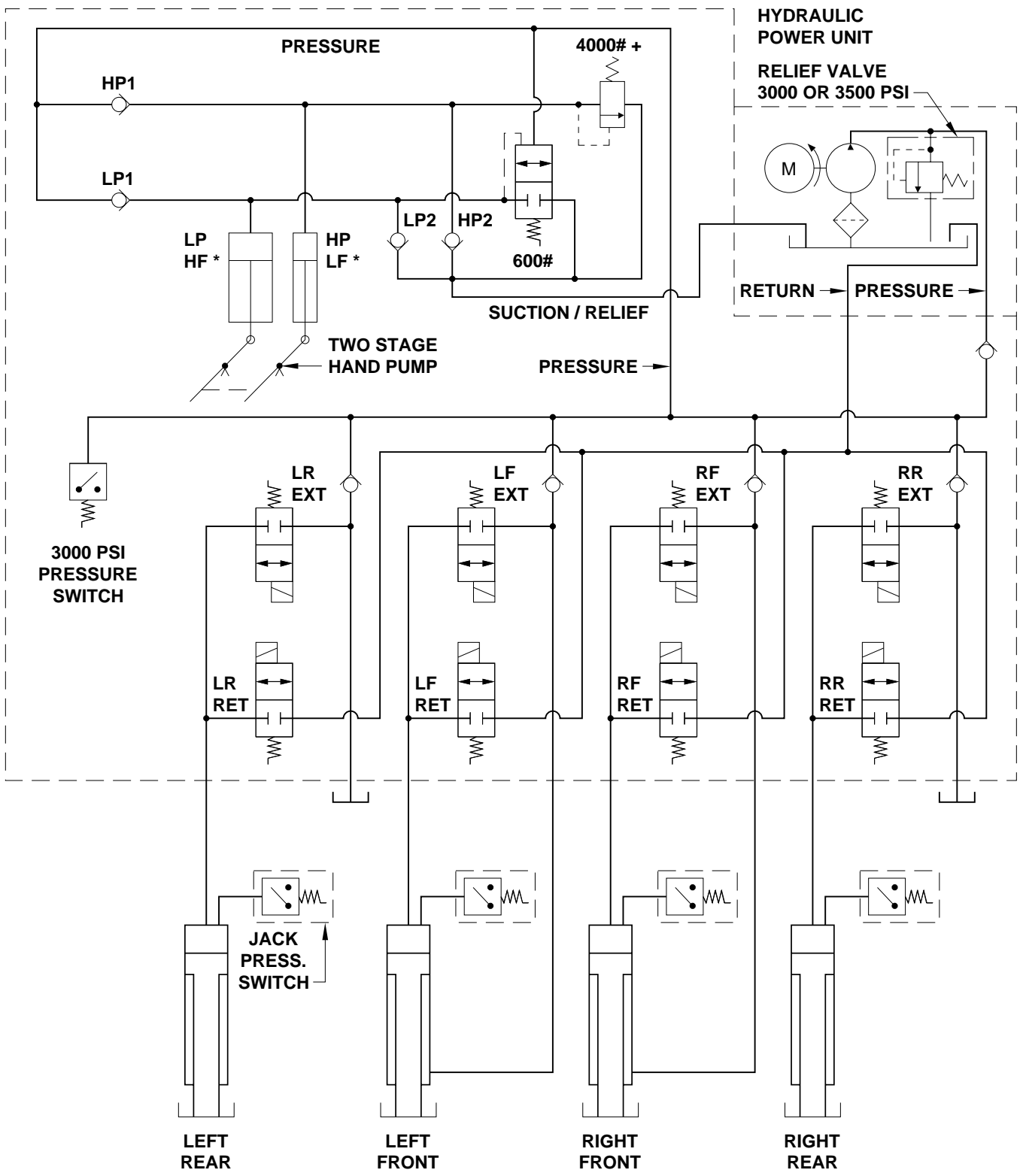


# HYDRAULIC SCHEMATIC DIAGRAM HAND PUMP ASSEMBLY WITH SOLENOID VALVES TWO POWER-EXTEND/POWER-RETRACT JACKS AND TWO POWER-EXTEND/SPRING-RETRACT JACKS W/CHECKED ROD CONNECTIONS



\* LPHF - LOW PRESSURE HIGH FLOW  
\* HPLF - HIGH PRESSURE LOW FLOW