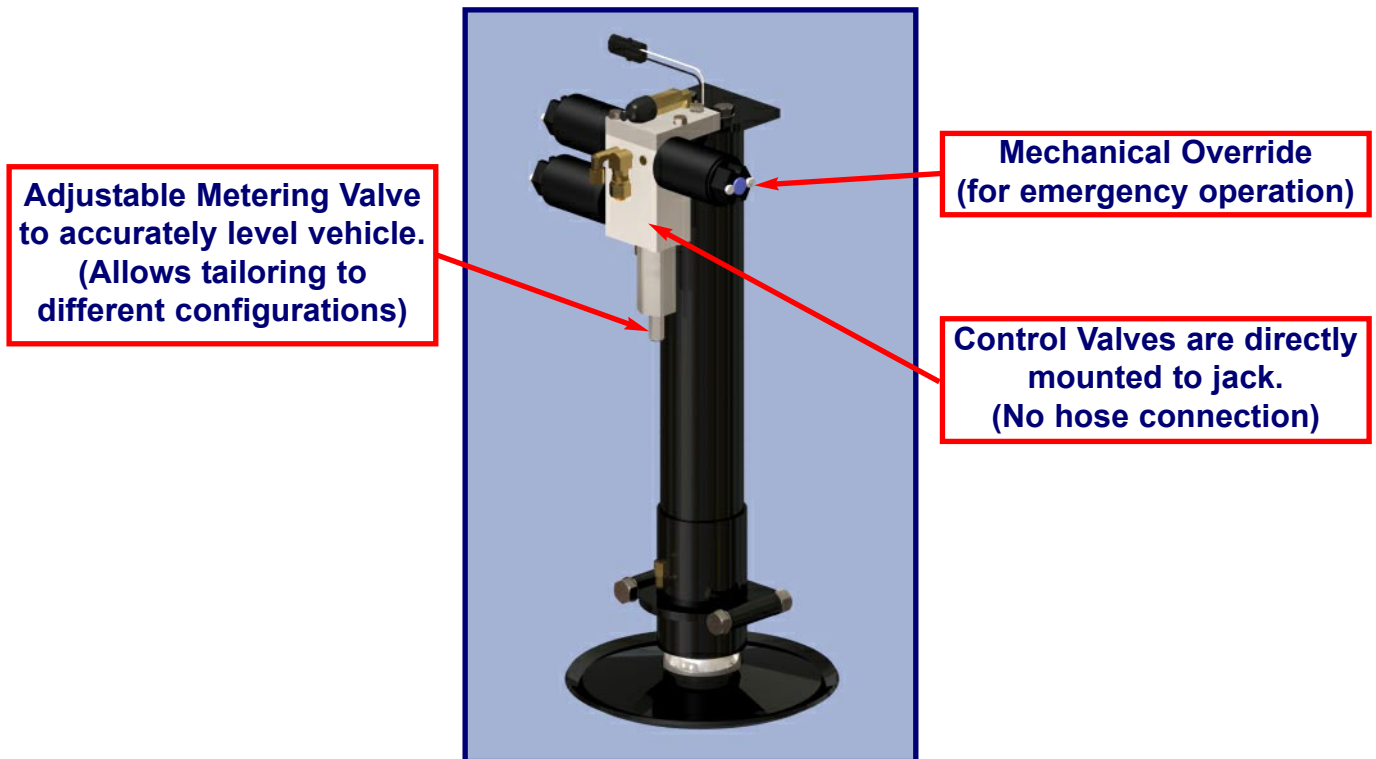


HWH® Straight-Acting, Power-Extend/Power-Retract Precision Leveling Jack

AP44724 16,000 lb. Jack with a 16" Stroke

For vehicles requiring Precision Leveling within .05 degrees



Includes the following features...

- Hydraulic power-extend/power-retract straight-acting jack
- 16,000 pound capacity jack in various stroke lengths
- Corrosion-protected rods resist rust for long life in harsh environments
- Large swiveling foot pads conform to ground for greater stability
- Easy to install with weld-on brackets and simple hydraulic and electrical connections

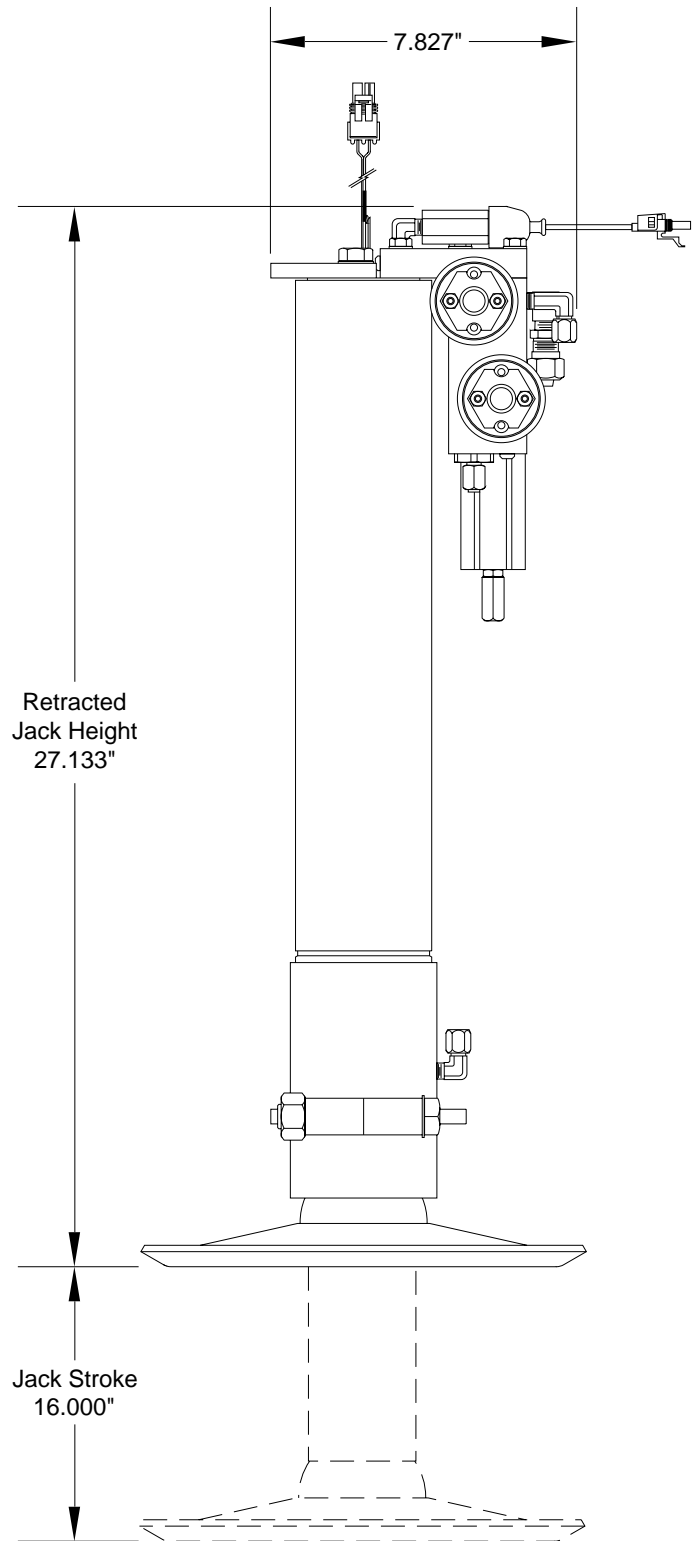
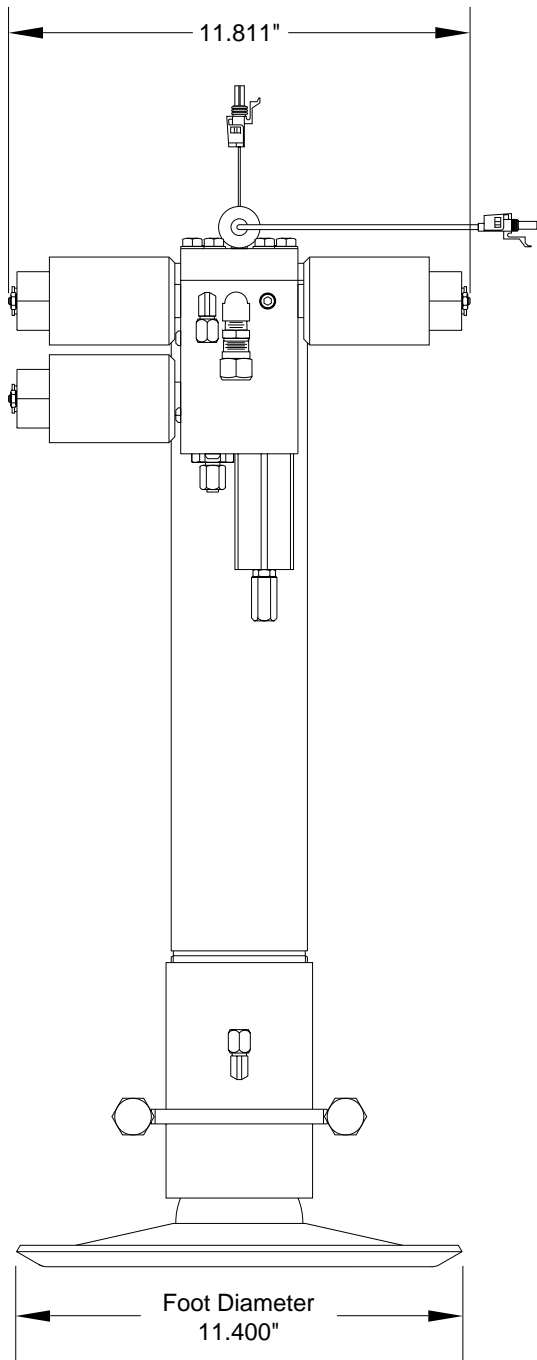


(On I-80, Exit 267 South) | 2096 Moscow Road | Moscow, Iowa 52760
Phone: (800)321-3494 or (563)724-3396 | Fax: (563)724-3408 | Web: www.HWH.com
Made in the USA

STRONG, RELIABLE, HYDRAULIC POWER

Specifications & Features

HWH®: Straight-Acting, Power-Extend/Power-Retract Precision Level Jack AP44724 - 16,000 lb. Jack with a 16" Stroke



Specifications...

| | |
|-----------------------------|--------|
| WEIGHTS (lbs.) | |
| Each Jack Assembly | XX |
| LOAD PER JACK (lbs.) | 16,000 |