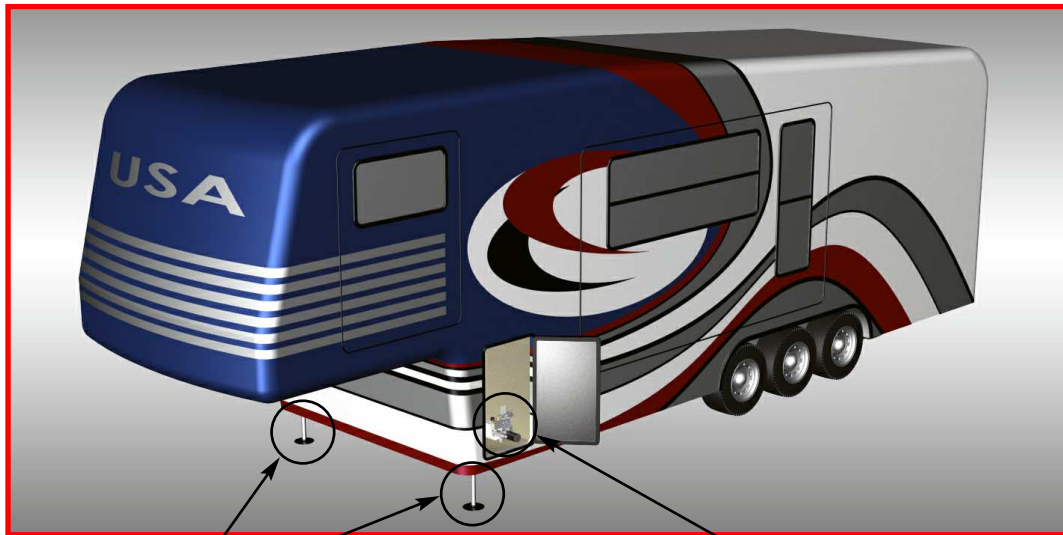


HWH® Straight-Acting, Power-Extend/Power-Retract Jacks *Designed to replace mechanical landing gear*

AP43042 Landing Gear

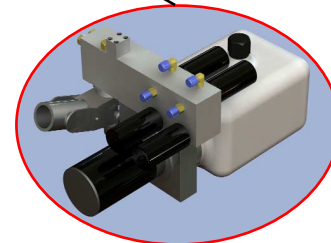
Featuring Hand Pump/Electrical Pump with Remote Electrical Panel
&
Straight-Acting, Power-Extend/Power-Retract Landing Gear



Straight-Acting
Power-Extend/Power-Retract
Jack, with a lifting capacity of
7,000 lb. each



Remote
Electrical Panel



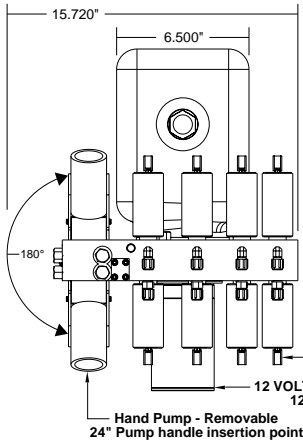
Hand/Electric Pump
with
Electric Solenoids



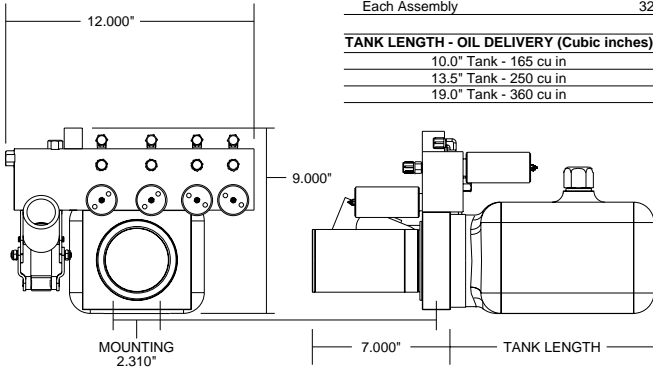
(On I-80, Exit 267 South) | 2096 Moscow Road | Moscow, Iowa 52760
Phone: (800)321-3494 or (563)724-3396 | Fax: (563)724-3408 | Web: www.HWH.com
Made in the USA

STRONG, RELIABLE, HYDRAULIC POWER

Specifications & Features
The HWH®: Power Unit with Solenoids and Manual Back-up



Up to four pairs of solenoid valves will operate up to four one way jacks, four two way jacks or four room extensions or a combination there of.
 Each solenoid valve is equipped with a manual release to be used during hand pump operations.

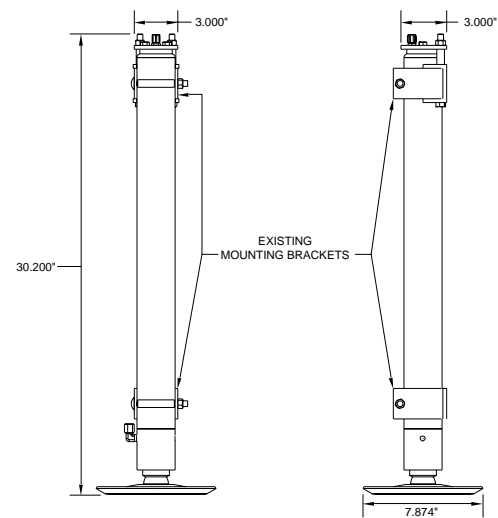


Specifications...

WEIGHT (lbs.)	
Each Assembly	32
TANK LENGTH - OIL DELIVERY (Cubic inches)	
10.0" Tank	165 cu in
13.5" Tank	250 cu in
19.0" Tank	360 cu in

ML42337B.DWG - 17JUN08

Specifications & Features
The HWH® "Power-Up / Power-Down" 7,000 lb. Landing Gear



Specifications...

WEIGHTS (lbs.)	
Each Assembly	36
DIMENSIONS (in.)	
Jack Width	2.500
Retracted Jack Height	30.200
Jack Stroke	21.000
LOAD PER JACK (lbs.)	7,000
PRIMARY APPLICATIONS	
Towables	

ML43043B
 ML43044B
 ML43045B
 ML43046B
 ML43047B

ML429358.DWG - 25SEP08