



# Power-Up / Power-Down Hydraulic Landing Gear

*Designed to replace mechanical landing gear*

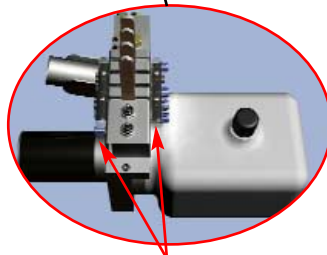
## AP43039 Landing Gear & Leveling System Package

Featuring Hand Pump with Hydraulic Switches  
&

Power-Up / Power-Down Landing Gear Combined with 9,000 lb. Spring Retracted Jacks



Power-up / Power-Down Hydraulic Landing Gear with a lifting capacity of 7,000 lb. per jack



Optional HWH® AP43076 Leveleze® Indicator Light System

Hand/Electric Pump with Hydraulic Switches



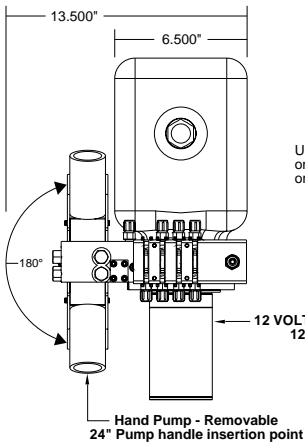
9,000 lb. Spring Retracted Straight-Acting Jack

**STRONG, RELIABLE, HYDRAULIC POWER**

For more information, visit  
[www.HWH.com](http://www.HWH.com) (click "Towable Systems")  
or contact HWH® directly at  
1-800-321-3494 (or) 1-563-724-3396.

**Specifications & Features**

**The HWH®: Power Unit with Hydraulic Switch Control and Manual Back-up**



Up to four hydraulic switch controls will operate up to four one way jacks, four two way jacks or four room extensions or a combination there of.

12 VOLT DC Motor and Pump  
125 amp - 2500 psi

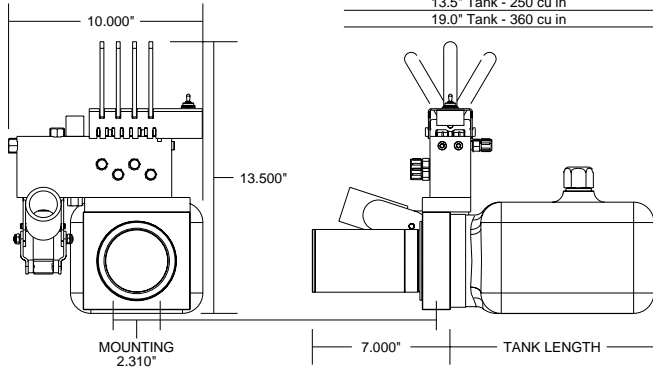
Hand Pump - Removable  
24" Pump handle insertion point

**Specifications...**

<b>WEIGHT (lbs.)</b>	
Each Assembly	25

**TANK LENGTH - OIL DELIVERY (Cubic inches)**

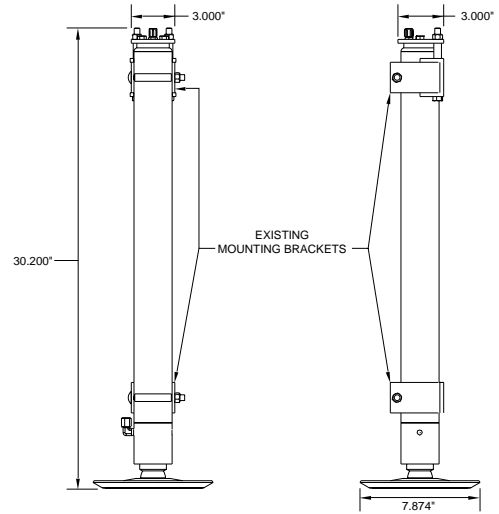
10.0" Tank	165 cu in
13.5" Tank	250 cu in
19.0" Tank	360 cu in



ML42335B.DWG - 17JUN08

**Specifications & Features**

**The HWH ® "Power-Up / Power-Down" 7,000 lb. Landing Gear**



**Specifications...**

<b>WEIGHTS (lbs.)</b>	
Each Assembly	36

**DIMENSIONS (in.)**

Jack Width	2.500
Retracted Jack Height	30.200
Jack Stroke	21.000

<b>LOAD PER JACK (lbs.)</b>	7,000
-----------------------------	-------

**PRIMARY APPLICATIONS**

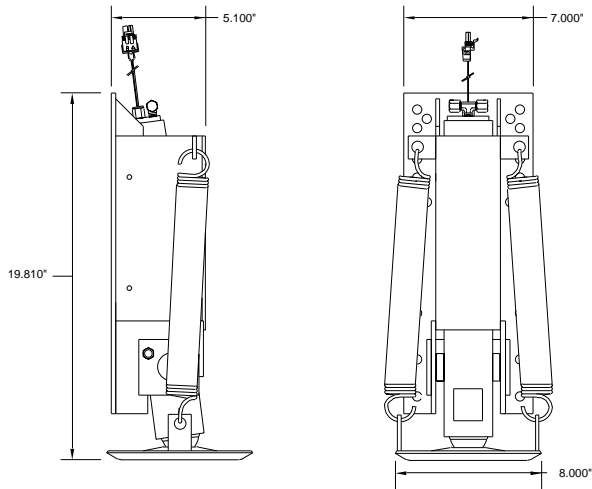
Towables	
----------	--

ML43043B  
ML43044B  
ML43045B  
ML43046B  
ML43047B

ML42935B.DWG - 25SEP08

**Specifications & Features**

**The HWH®: Straight-Acting 9,000lb Single Acting Jack**



**Specifications...**

<b>WEIGHTS (lbs.)</b>	
Each Assembly	35

**DIMENSIONS (in.)**

Jack Width	7.000
Retracted Jack Height	19.810
Jack Stroke	13.000

<b>LOAD PER JACK (lbs.)</b>	9,000
-----------------------------	-------

**PRIMARY APPLICATIONS**

Class "A" - Towables	
----------------------	--

ML43055B.DWG - 16JUN08

ML43045B.DWG - 25SEP08