

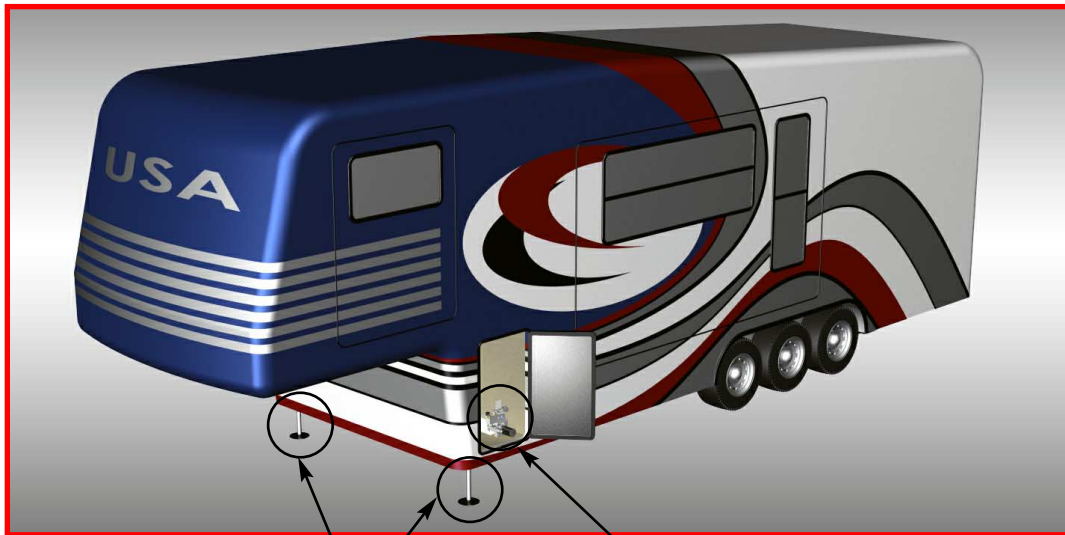


# Power-Up / Power-Down Hydraulic Landing Gear

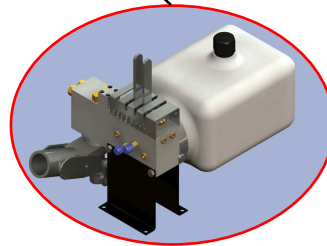
*Designed to replace mechanical landing gear*

## AP43037 Landing Gear Package

Featuring Hand Pump with Hydraulic Switches  
&  
Power-Up / Power-Down Landing Gear



Power-up / Power-Down Hydraulic Landing Gear with a lifting capacity of 7,000 lb. per jack

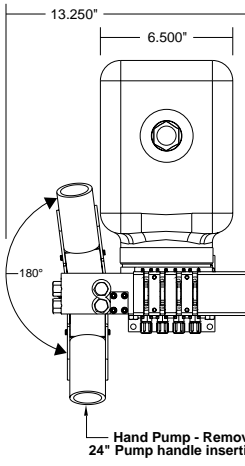


Hand pump with hydraulic switches (no electric power is required)

**STRONG, RELIABLE, HYDRAULIC POWER**

For more information, visit  
[www.HWH.com](http://www.HWH.com) (click "Towable Systems")  
or contact HWH® directly at  
1-800-321-3494 (or) 1-563-724-3396.

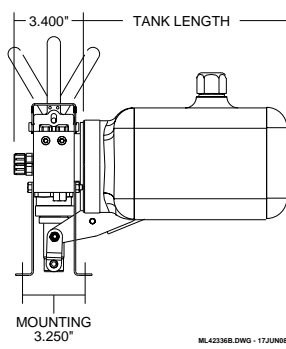
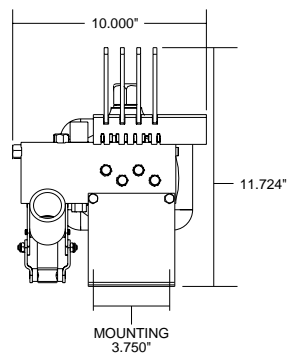
**Specifications & Features**  
**The HWH®: Swivel Hand Pump with Hydraulic Switch Control**



Up to four hydraulic switch controls will operate up to four one way jacks, four two way jacks or four room extensions or a combination there of.

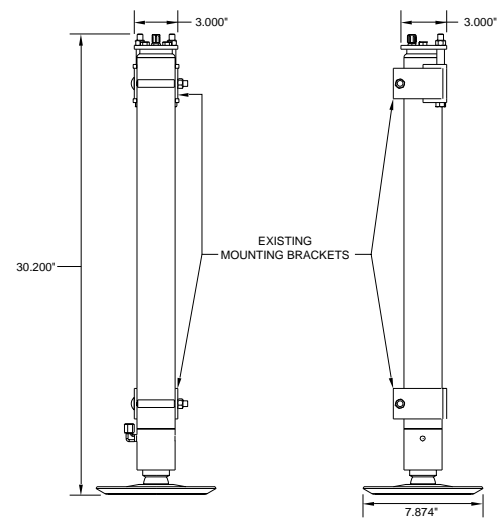
**Specifications...**

<b>WEIGHT (lbs.)</b>	
Each Assembly	14
<b>TANK LENGTH - OIL DELIVERY (Cubic inches)</b>	
10.0" Tank	165 cu in
13.5" Tank	250 cu in
19.0" Tank	360 cu in



ML42336B.DWG - 17JUN08

**Specifications & Features**  
**The HWH® "Power-Up / Power-Down" 7,000 lb. Landing Gear**



**Specifications...**

<b>WEIGHTS (lbs.)</b>	
Each Assembly	36
<b>DIMENSIONS (in.)</b>	
Jack Width	2.500
Retracted Jack Height	30.200
Jack Stroke	21.000
<b>LOAD PER JACK (lbs.)</b>	
	7,000
<b>PRIMARY APPLICATIONS</b>	
	Towables

ML43043B  
 ML43044B  
 ML43045B  
 ML43046B  
 ML43047B

ML42935B.DWG - 25SEP08