

# Pivot Brkt Kit - 2 Jack Assy & 9,000# Cylinder Kit: Straight-Acting Jacks

**Application:** For mounting Straight-Acting Jacks on the REAR OF FORD F53 chassis, 1999 and newer with 19.5" TIRES.

**Mfr. #: AP16244 Pivot Brkt Kit - 2 Jack Assy  
F53/99 Rear**

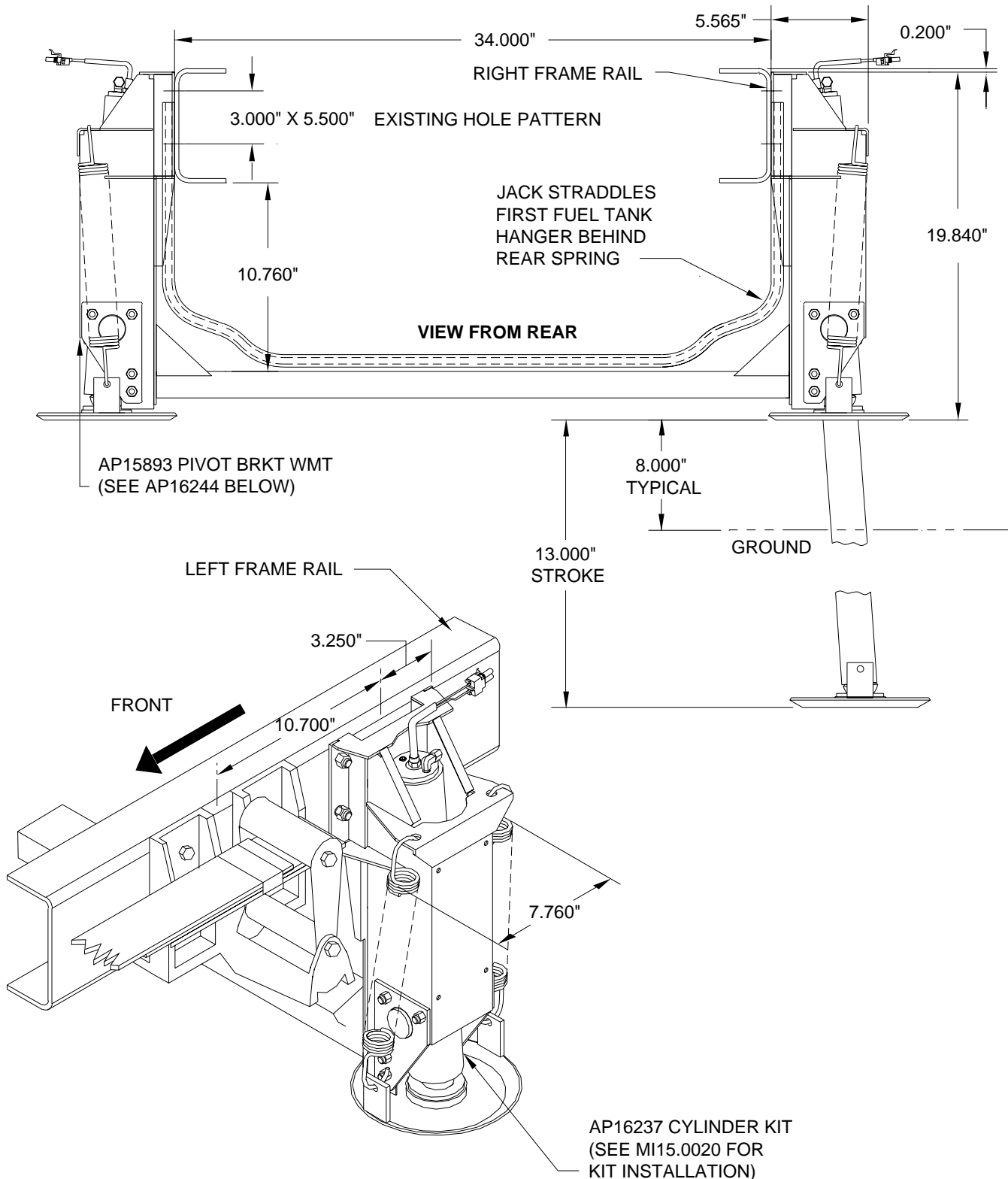
**Includes:** 1 - AP15893 Pivot Bracket  
1 - AP16184 Hardware Kit

**M.S.R.P.:** See Item Price Listing

**Mfr. #: AP16237 Cylinder Kit**

**Includes:** 2 - AP15900 Cylinder 9,000 x 13  
4 - Springs  
2 - Feet  
4 - Retaining Plates with Bolts

**M.S.R.P.:** See Item Price Listing



**CAUTION:** Follow CAUTIONS in Operator's and Installation Manuals concerning working under vehicles.

**MI25.2055  
09JAN01**