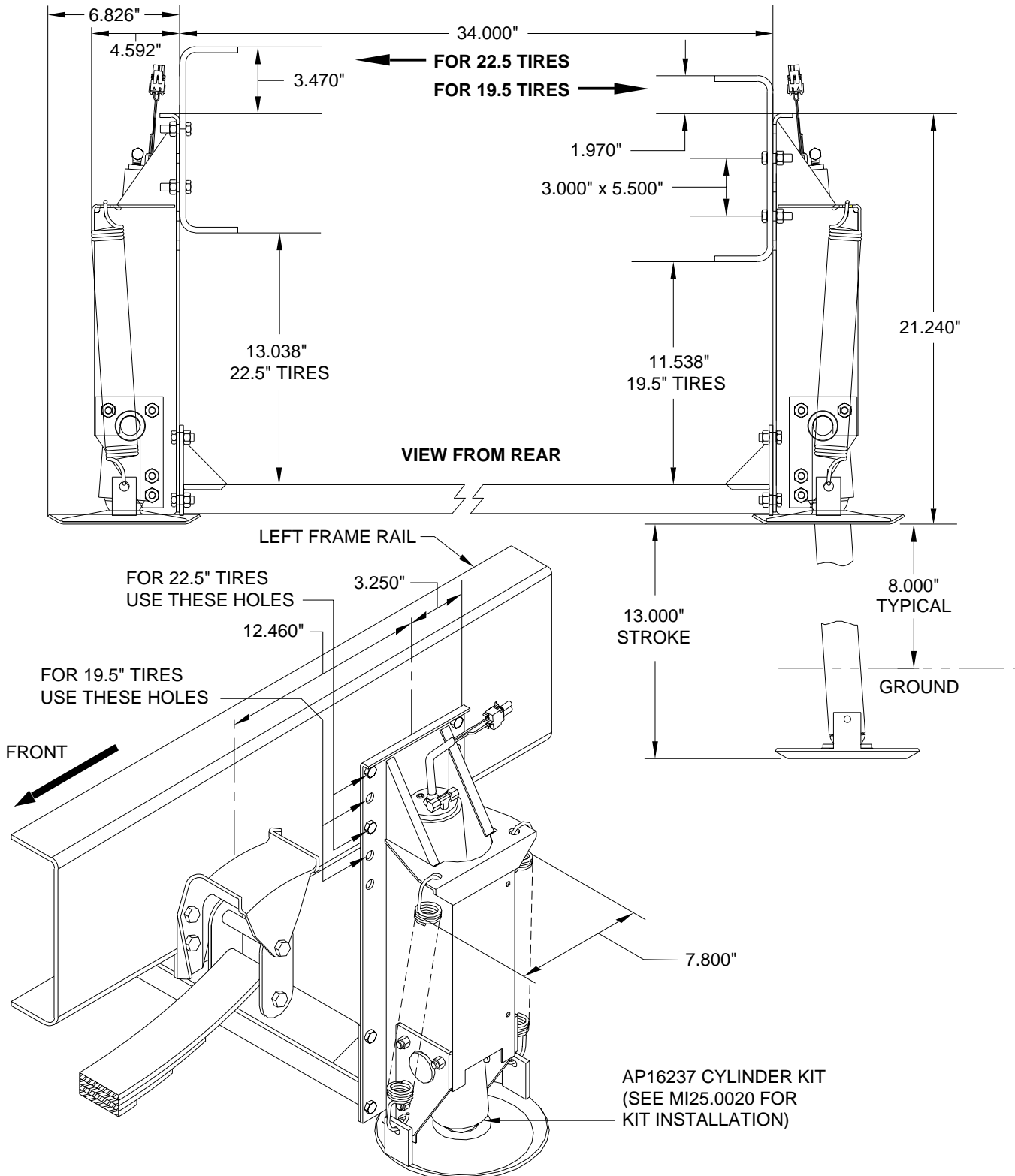


# Pivot Bracket/Cross Tie Kit & 9,000# Cylinder Kit: Straight-Acting Jacks

**Application:** For mounting Straight-Acting Jacks on the REAR OF WORKHORSE chassis with a GVWR OF 22,500# and 19.5" or 22.5" TIRES.

**Mfr. #: AP22874 Pivot Bracket/Cross Tie Kit**  
**Includes:** 2 - AP22659 Pivot Bracket  
 1 - AP20775 Cross Tie  
 1 - AP16184 Hardware Kit 7/16"  
 1 - AP2043 Hardware Kit 7/16" x 1-1/2"  
**M.S.R.P.:** See Item Price Listing

**Mfr. #: AP16237 Cylinder Kit**  
**Includes:** 2 - AP15900 Cylinder 9,000 x 13  
 4 - Springs  
 2 - Feet  
 4 - Retaining Plates with Bolts  
**M.S.R.P.:** See Item Price Listing



**CAUTION:** Follow CAUTIONS in Operator's and Installation Manuals concerning working under vehicles.

MI25.2047  
09JAN01