

Pivot Bracket/Cross Tie Kit & 9,000# Cylinder Kit: Straight-Acting Jacks

Application: For mounting Straight-Acting Jacks on the FRONT OF WORKHORSE chassis with a GVWR OF 22,500# and 19.5" or 22.5" TIRES.

Mfr. #: AP22873 Pivot Bracket/Cross Tie Kit

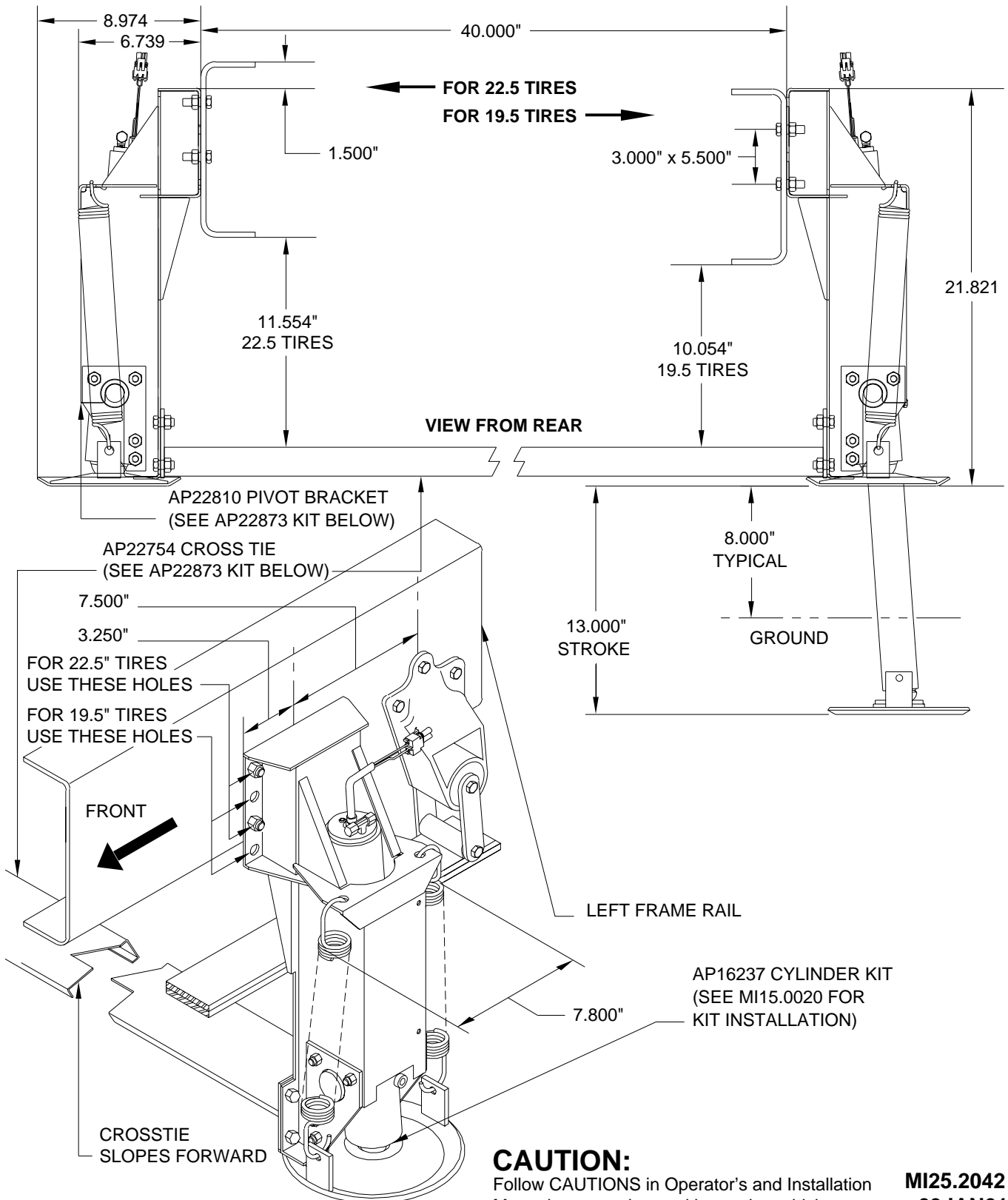
Includes: 2 - AP22810 Pivot Bracket
 1 - AP22754 Cross Tie
 1 - AP16184 Hardware Kit 7/16"
 2 - AP2043 Hardware Kit 7/16" x 1-1/2"

M.S.R.P.: See Item Price Listing

Mfr. #: AP16237 Cylinder Kit

Includes: 2 - AP15900 Cylinder 9,000 x 13
 4 - Springs
 2 - Feet
 4 - Retaining Plates with Bolts

M.S.R.P.: See Item Price Listing



CAUTION:
 Follow CAUTIONS in Operator's and Installation
 Manuals concerning working under vehicles.

MI25.2042
09JAN01