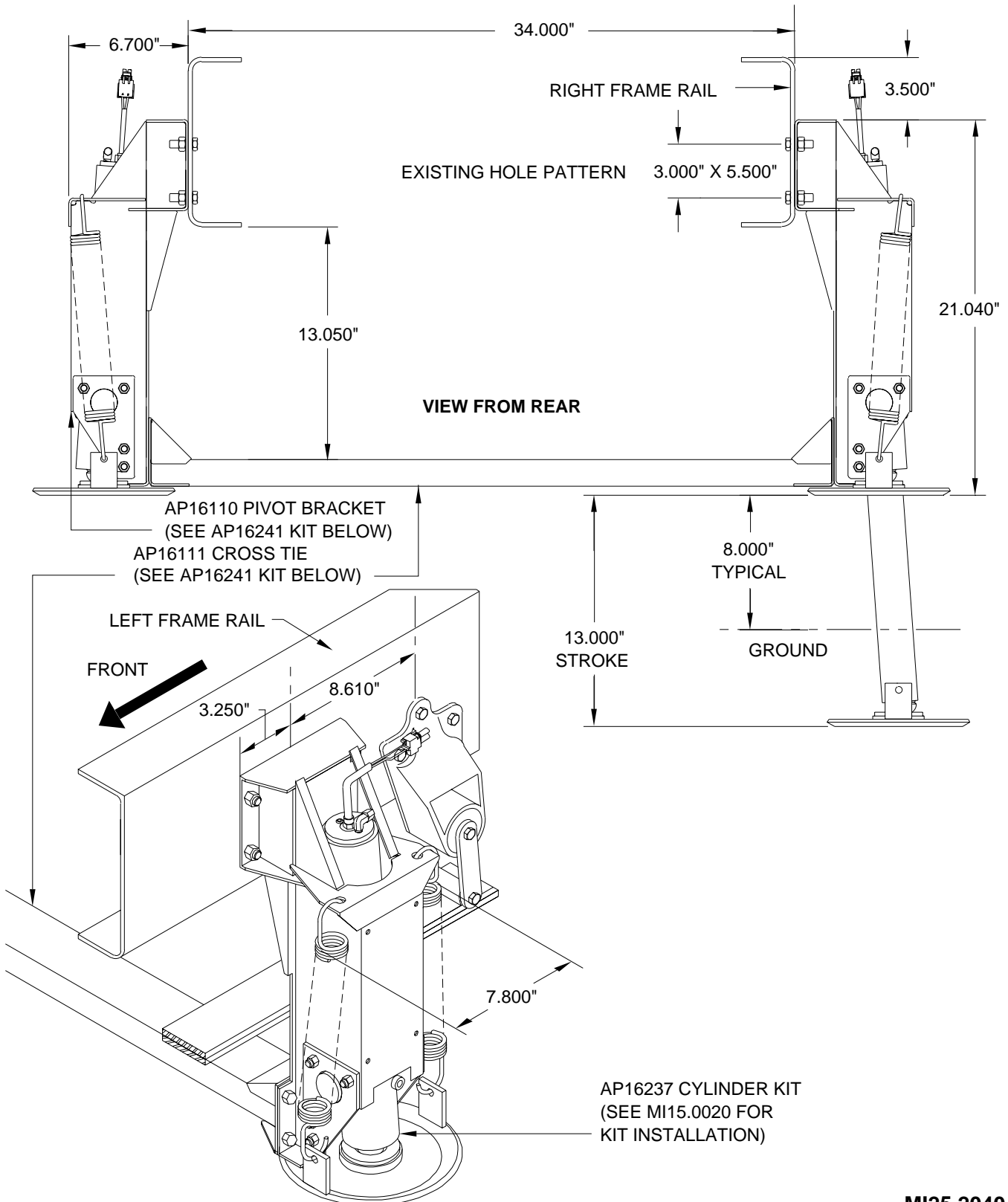


Pivot Bracket/Cross Tie and 9,000# Cylinder Kit: Straight-Acting Jacks

Application: For mounting Straight-Acting Jacks on the FRONT OF CHEVY P12 chassis, 1999 and newer with 22.5" TIRES.

Mfr. #: AP16241 Pivot Bracket/Cross Tie Kit
Includes: 2 - AP16110 Pivot Bracket
 1 - AP16111 Cross Tie
 1 - AP16184 Hardware Kit 7/16"
 2 - AP16185 Hardware Kit 3/8"
M.S.R.P.: See Item Price Listing

Mfr. #: AP16237 Cylinder Kit
Includes: 2 - AP15900 Cylinder 9000 x 13"
 4 - Springs
 2 - Feet
 4 - Retaining Plates with Bolts
M.S.R.P.: See Item Price Listing



CAUTION: Follow CAUTIONS in Operator's and Installation Manuals concerning working under vehicles.

MI25.2040
11JAN01