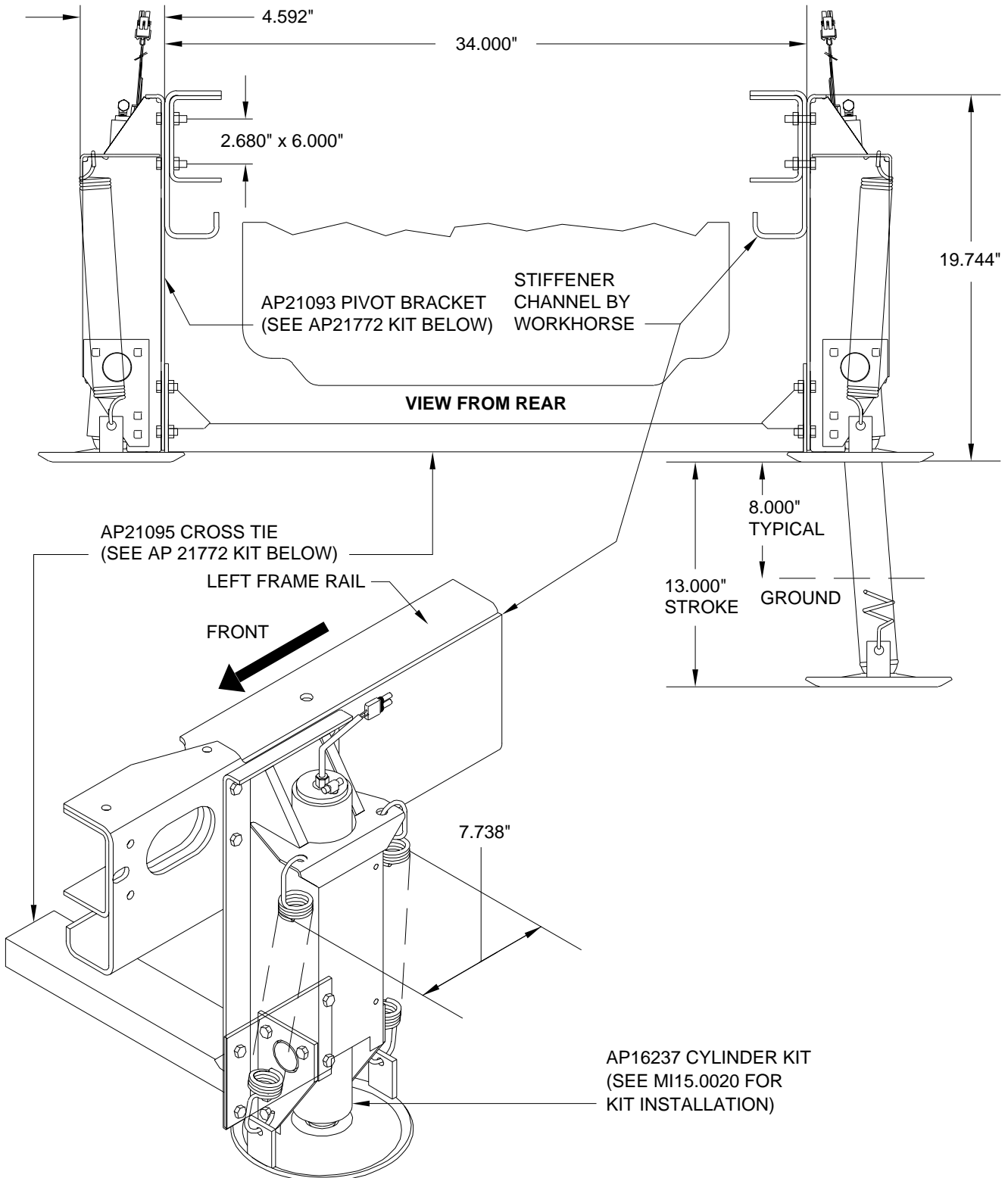


Pivot Bracket/Cross Tie Kit & 9,000# Cylinder Kit: Straight-Acting Jacks

Application: For mounting Straight-Acting Jacks on the REAR OF WORKHORSE chassis with a GVWR OF 18,000#.

Mfr. #: AP21772 Pivot Bracket/Cross Tie Kit
Includes: 2 - AP21093 Pivot Bracket
 1 - AP21095 Cross Tie
 1 - AP16184 Hardware Kit 7/16"
 1 - AP21931 Hardware Kit 3/8" x 1-1/2"
M.S.R.P.: See Item Price Listing

Mfr. #: AP16237 Cylinder Kit
Includes: 2 - AP15900 Cylinder 9,000 x 13
 4 - Springs
 2 - Feet
 4 - Retaining Plates with Bolts
M.S.R.P.: See Item Price Listing



CAUTION: Follow CAUTIONS in Operator's and Installation Manuals concerning working under vehicles.

MI25.2031
09JAN01