

Mounting Bracket Kit: Kick-Down Jacks

Application: For mounting Kick-Down Jacks on the REAR OF FORD F53 chassis, 1997 and older with 16" TIRES and a GRANNING TAG. Rear bracket.

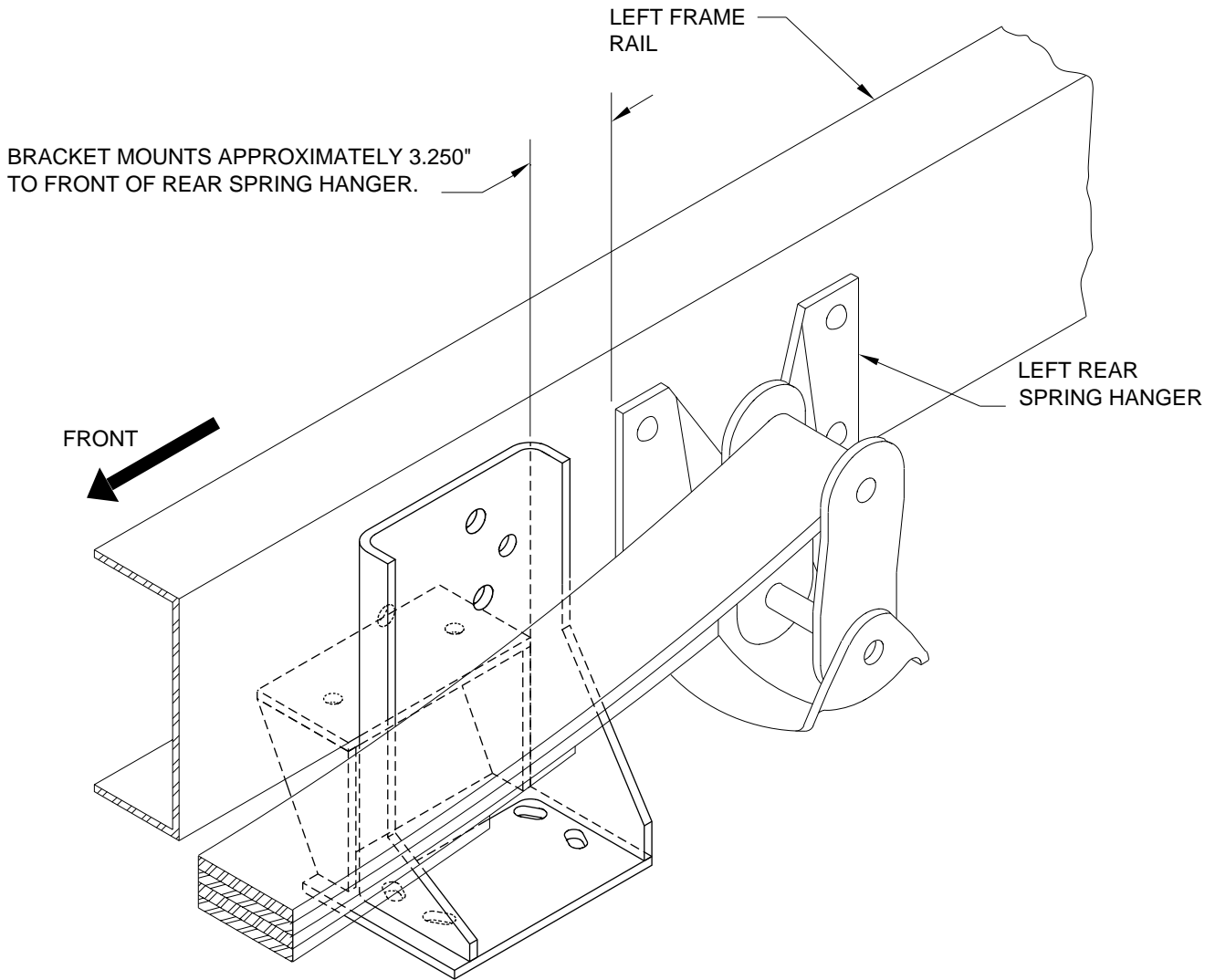
Mfr. #: AP11721 Bracket Kit Ford Rear

Includes: 1 - AP11356 Bracket Right Rear

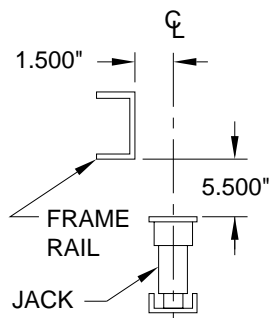
1 - AP11355 Bracket Left Rear

1 - AP7089 Hardware Kit

M.S.R.P.: See Item Price Listing



CHECK RECOMMENDED MOUNTING HEIGHT OF JACK BEING USED.



NOTE: IF JACK IS TOO CLOSE TO TAIL PIPE, HAVE COACH OWNER TAKE COACH TO A PROFESSIONAL MUFFLER SHOP.

CAUTION: Follow CAUTIONS in Operator's and Installation Manuals concerning working under vehicles.

MI25.1176
16FEB01