

Mounting Bracket Kit: Kick-Down Jacks

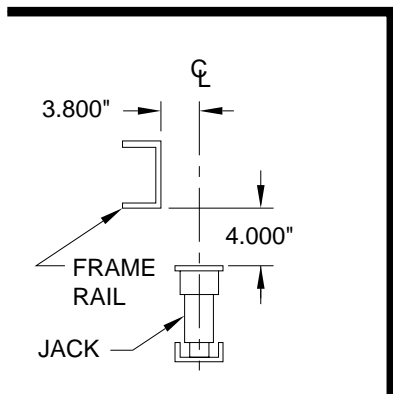
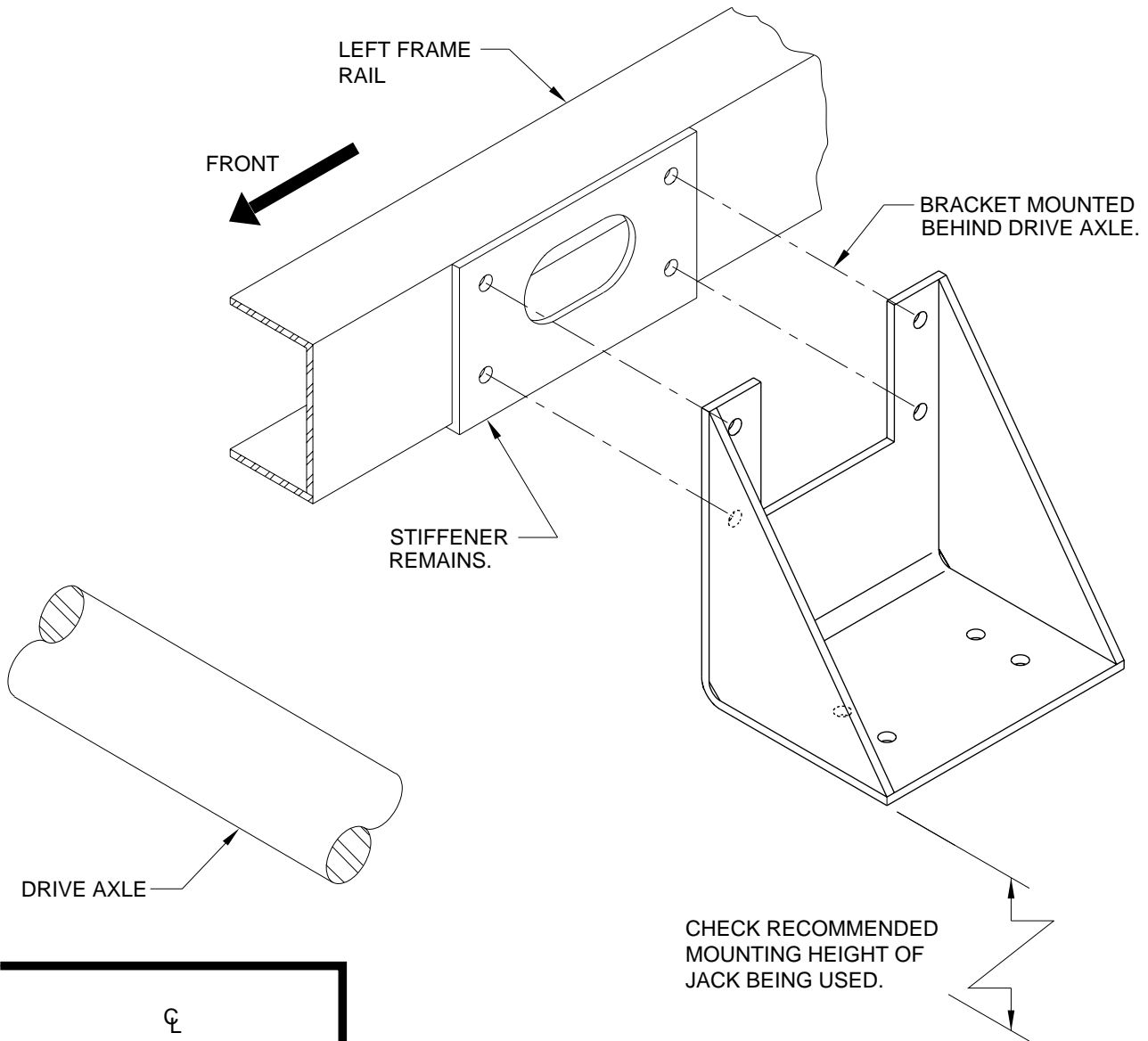
Application: For mounting Kick-Down Jacks on the REAR OF CHEVY P30 chassis with a single axle MOR/ryde suspension. Use this bracket on Chevy P30 chassis with a single axle MOR/ryde suspension ONLY with a below frame rail cross tie. Rear Bracket.

Mfr. #: AP7486 Bracket Kit Chevy Rear M-R

Includes: 2 - AP7461 Bracket Rear MOR/ryde CH

1 - AP7538 Hardware Kit

M.S.R.P.: See Item Price Listing



CAUTION: Follow CAUTIONS in Operator's and Installation Manuals concerning working under vehicles.

MI25.1170
16FEB01